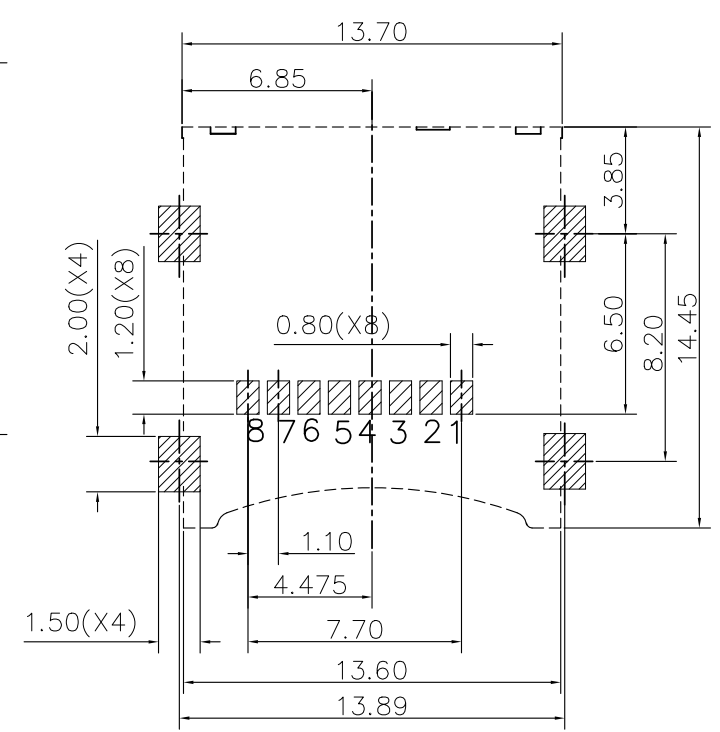
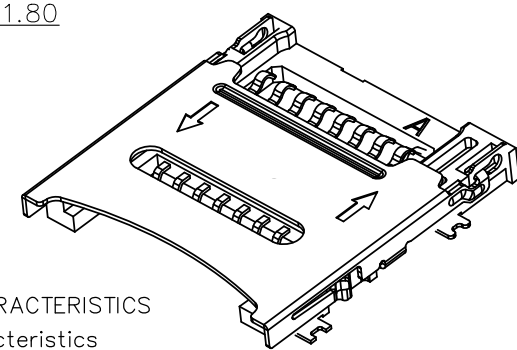
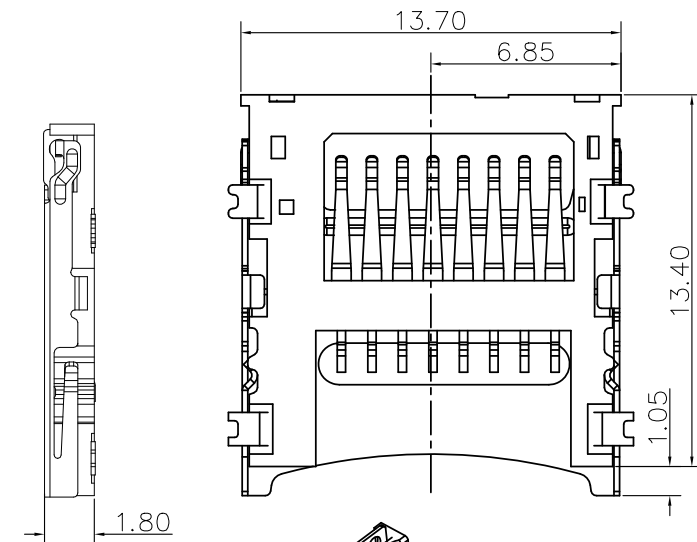
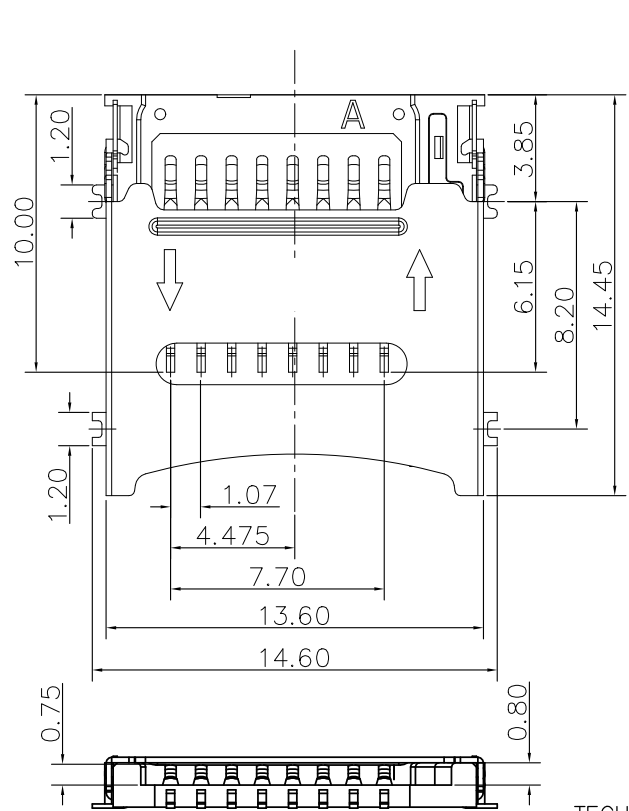


REV.	DESCRIPTION OF REVISIONS	APPR.	DRAW.	RELEASE	DATE
X1	NEW REVISION				Jul.21.2015



RECOMMENDED P.C.B LAYOUT  
COMPONENT SIDE(TOLERANCE ±0.05)

**TECHNICAL CHARACTERISTICS**

**1.General Characteristics**

Dimensions: 14.50LX13.60WX1.80H mm  
Weight: Approx0.70g  
Durability: 5000 cycles min.

**2.Electrical Characteristics**

Contact resistance: 50mΩ typical,100mΩ max  
Insulation resistance: >1000MΩ/500V DC

**3.Solderability**

Vaporphase: 215°C,30sec.Max  
IR reflow: 250°C,5sec.Max  
Manual soldering: 370°C,3sec.Max

**4.Environmental Characteristics**

Operating temperature: -40°C~+85°C  
Operating humidity: 10%~+95%RH

MicroSD CARD	
Pin No.	NAME
1	DAT2
2	CD/DAT3
3	CMD
4	VDD
5	CLK
6	VSS
7	DAT0
8	DAT1

ITEM	PART NAME	Q'TY	MATERIAL	FINISH
1	HOUSING	1	Hi-temp Thermoplastic	Black UL94V-0
2	DATA CONTACT	8	Copper Alloy	Contact area:Gold plated
3	SHELL	1	Stainless Steel	

Unless otherwise specified, other tolerance are:			NAME: <b>MicorSD Card Connector</b>	
X	±0.35	X*	MODEL NO: <b>M616-1</b>	
X.X	±0.25	X.X*	TYPE : <b>H1.80 mm</b>	
X.XX	±0.15	X.XX*	DRAWN: Henry Jul.21.2015	
X.XXX	±0.10	X.XXX*	CHECKED: Henry Jul.21.2015	
PROJ.	UNIT	SCALE	DWG NO.:	
⊕	mm	1:1	APPROVAL: Simon Jul.21.2015	
CUSTOMER DRAWING			SHEET 1/1	
			REVISION X1	

