

VECO VANSONIC ENTERPRISE CO., LTD.

8F.,No.7,Lane 16, Sec.2, Szechwan Road, Panchiao, Taipei Hsien, TAIWAN.

TEL: +886-2-29626335

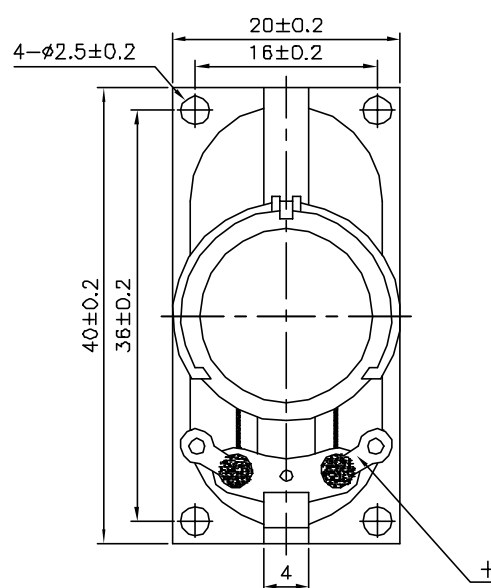
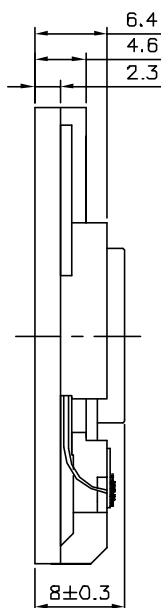
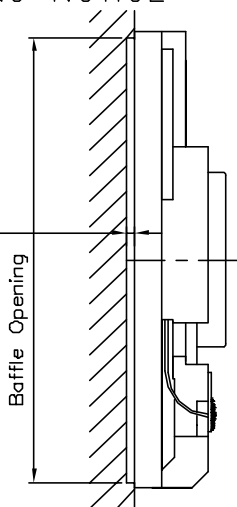
FAX: +886-2-29625220

E-MAIL: VANSONIC@MS4.HINET.NET

1.	MODEL:	40KS08P			
2.	Dimension	Outer Diameter	20 X 40mm.	Baffle Opening	19 X 39mm.
		Height	Refer to Drawing	Weight	6.4 Grams.
3.	Magnet	Materials	Rare Earth	Size	∅ 11.5x1.5 mm.
4.	Nominal Resistance		8	± 15 %	
5.	Power Rating	Normal	2 W.	Maximum	2.5 W.
6.	Lowest Resonant Frequency		540	± 20 %	Hz.
7.	Output Sound Pressure Lever (S.P.L.)		85	± 3 db / 1.0 Watt . 0.5 Meter.	
		Average at	800,	1000,	1000,
8.	Frequency Range		300 ~ 15000 Hz.	Average S P L - 10 db.	
9.	Distortion		5 % Maximum At	1000 Hz.	1 W.
10.	Abnormal Sound Test	Must be Normal Tested By	4.0 Volts.	Sine Wave.	
11.	Load Test	White Noise with Weighted Filter	4.0 Volts.(RMS)	24 Hrs.	
12.	Polarity	Diaphragm shall move Forward when Apply a Positive DC.			
		Current to the "+" or "Marked" Terminal.			

MOUNTING NOTICE

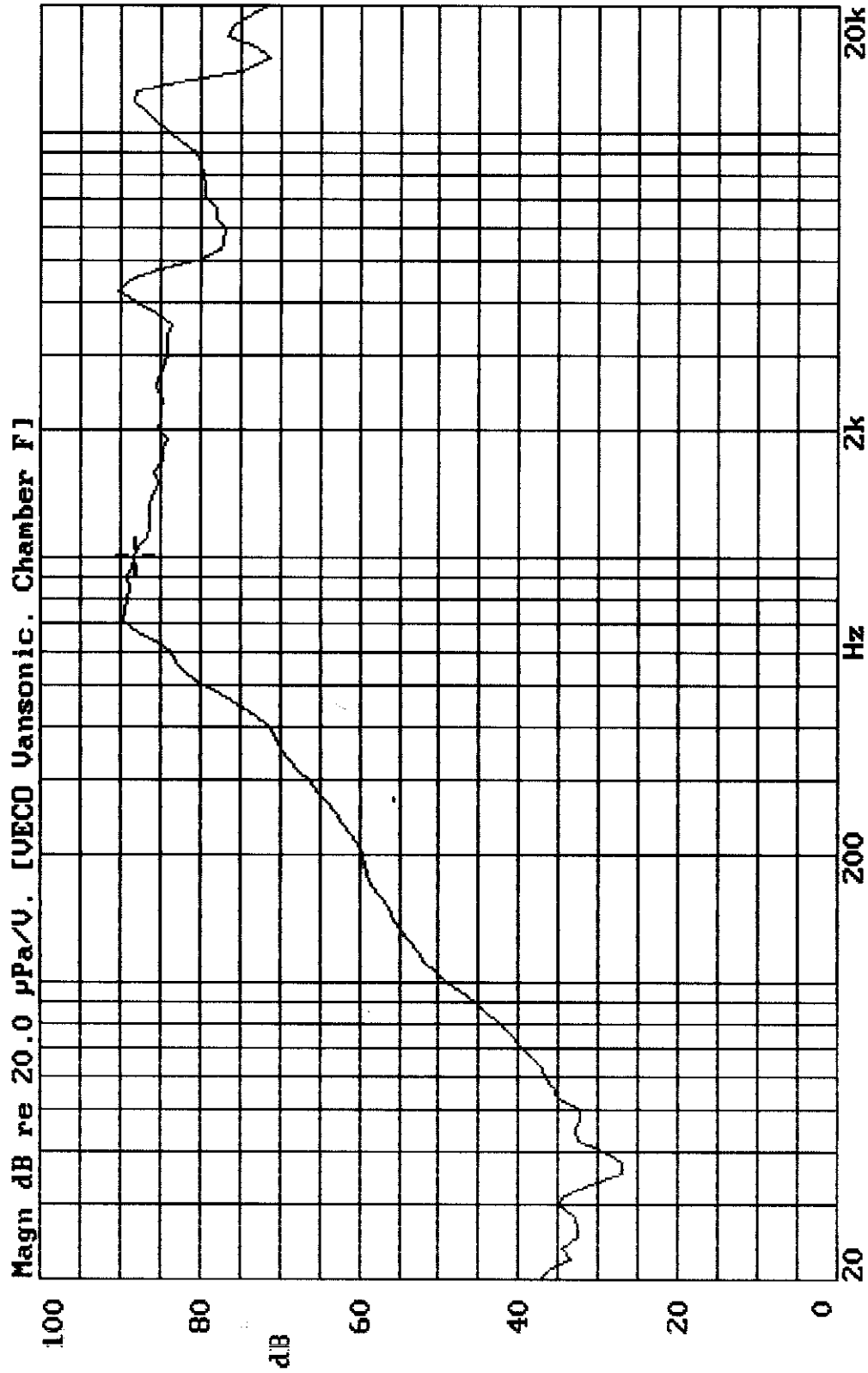
AT LEAST
0.8mm
FOR
DIAPHRAM
MOVING



Unit : mm

Housing Material : PBT

P40KS08P VOL:2.83V(1W) DIS:0.5M VANSONIC
X:1.0000kHz *Y:88.41dB ZA:1.0000 SSR Fund.



24-DEC-2003 10:30:10

Mode: SPEAKER

