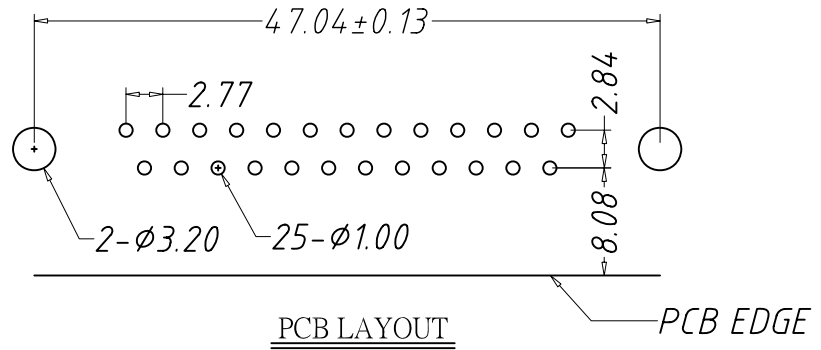
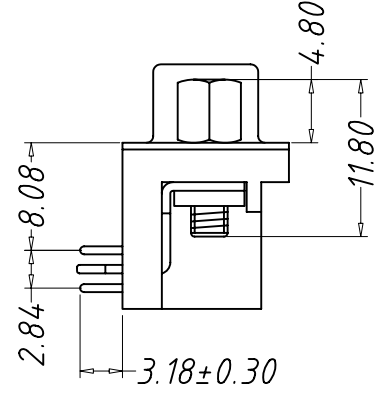
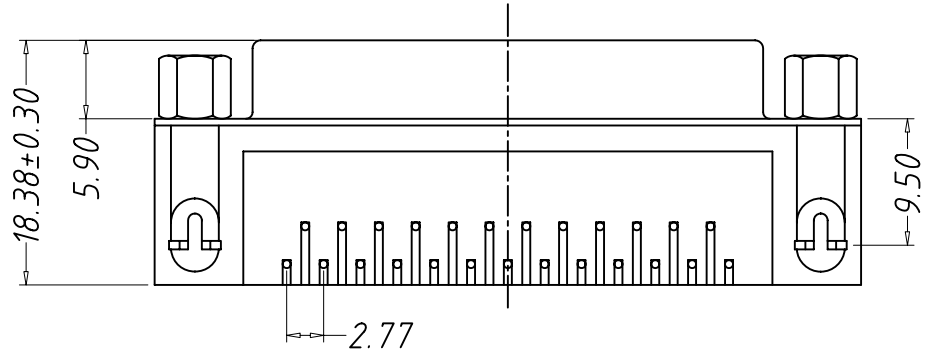
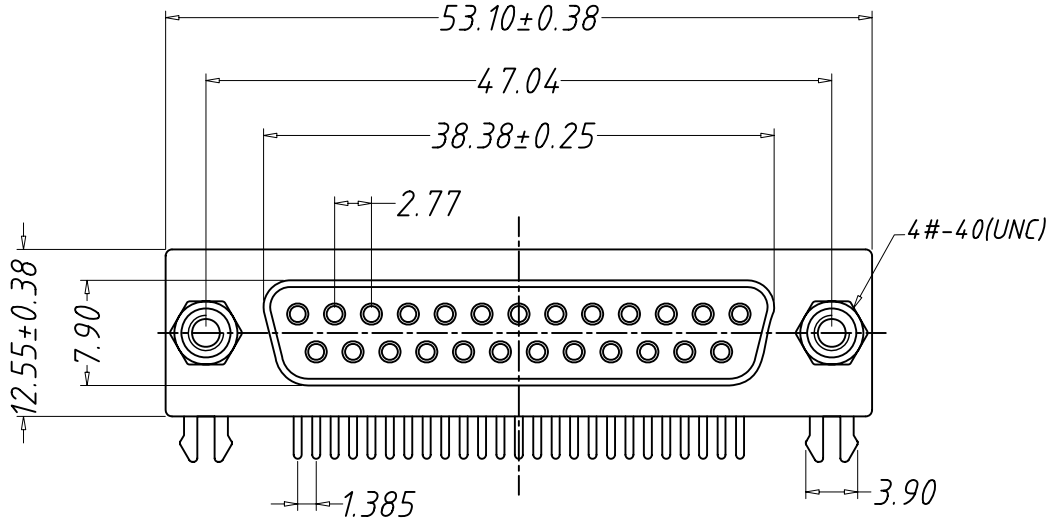


REV.	ECN NO.	LOCATIONS	DESCRIPTION	DATE	DESIGN
AO			初版發行		

- NOTES:
- MATERIALS:
- INSULATOR: PBT+30%G/F (UL 94V-0) COLOR: BLACK
  - CONTACT: COPPER ALLOY
  - CONTACT PLATED: GOLD FLASH PLATING ON CONTACT AREA 80u" MIN TIN PLATED, 30u" MIN NICKEL PLATING OVER ALL
  - SHELL: SPCC-SD, NICKEL OVER COPPER
  - BOARD LOCK: SPCC, TIN PLATING
  - RIVET: COPPER ALLOY, NICKEL PLATING OVER COPPER
  - SCREW: SPCC, NICKEL PLATING OVER COPPER

- SPECIFICATION:
- CONTACT CURRENT RATING: 5 AMP
  - INSULATION RESISTANCE: 1000M OHM MIN AT 500V DC
  - DIELECTRIC WITHSTANDING VOLT: AC 500V (R. M. S) / 1 MINUTE
  - OPERATION TEMPERATURE: -40° C TO +105° C
  - RoHS COMPLIANT



DIM	TOL	DIM	TOL
X	±0.5	X'	±5'
X.X	±0.35	X.X'	
X.XX	±0.25	X.XX'	
X.XXX		X.XXX'	

DRAW NO.		MATERIAL:		DRAW NAME:	
DESIGN:		FINISH:		HDR 25pin 8.08 FEMALE 90° DIP	
CHECK:		FILE:		MODEL:	
REVIEW:		P/N:		UNIT: mm	
APPROVED:		REV. AO	SCALE: N/A	SHEET: 1/1	