

7. Characteristics of actuation recorders for valve arresters

purpose

The valve arresters actuation recorders are designed to count the number of discharges of arresters from switching and atmospheric overvoltages.

The registrars correspond to Tu1 6–534, O 13–80.

Operating conditions

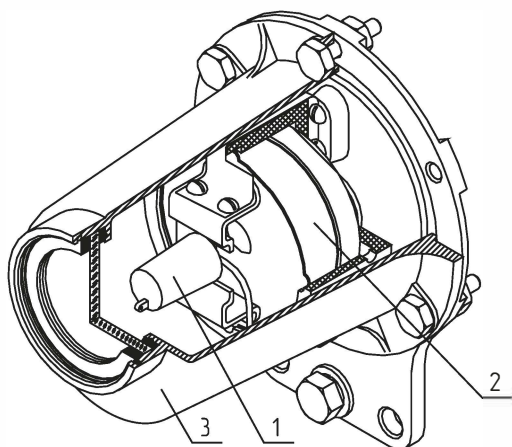
The recorders are designed for operation in areas with temperate and tropical climates at ambient temperature:

- from -45 to $+40^{\circ}\text{C}$ – for U1 execution;
- from -10 to $+50^{\circ}\text{C}$ – for T1 version .

The installation height above sea level is not more than 1000 m. Relative humidity:

- at a temperature of $+25^{\circ}\text{C}$ to 100% – for the U1 version;
- at a temperature of $+35^{\circ}\text{C}$ to 100% – for T1 version.

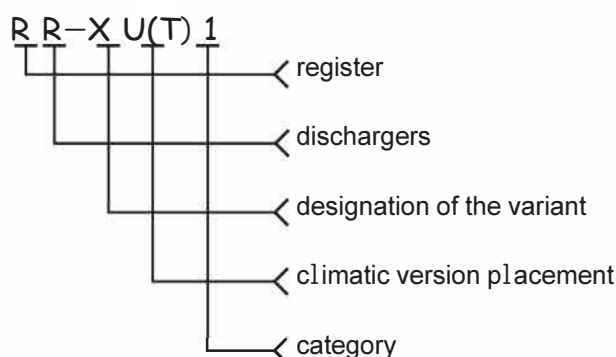
structure



The actuation recorder consists of an electromagnetic counter (1) and a block of nonlinear resistors (2) placed in a hermetically sealed housing (3).

The recorders are connected in series to a circuit of arresters.

Part numbering



Технические характеристики

Name of the parameter	RR-1U1	RR-2U1	RR-3U1
Minimum tripping current at a duration of 3 ms, A, no more	10	40	80
Throughput of at least 100 impacts: – a current wave of 5 kA with a wave front of 8 microseconds and a duration of 20 microseconds followed by a half-cycle of a current frequency of 50 Hz with an amplitude, A, no more – a current wave 10 as with a wave front of 8 microseconds and a duration of 20 microseconds followed by a half-cycle of a current frequency of 50 Hz with an amplitude, A, no more	90	300	1500
Maximum voltage at the terminals of the recorder – at a current pulse of 5 kA, kV – at a current pulse of 10 kA, kV	1,5	1,5	1,5
Weight, kg, no more	1,54	1,75	1,75

Dimensional drawing

