

# SPECIFICATION FOR APPROVAL

CUSTOMER: \_\_\_\_\_ PART NO: \_\_\_\_\_

DESCRIPTION: FCD54-221K-NP SUBMIT NO: \_\_\_\_\_

QUANTITY: \_\_\_\_\_ PCS DATE: \_\_\_\_\_

方瑞达电子（香港）有限公司		
FONRITA ELECTRONICS (H.K) CO., LTD.		
MADE	CHECKED	APPROVED
张达	黎敏	邓锋

贵公司承认栏		
APPROVED BY MANGEMNT		
MADE	CHECKED	APPROVED



方瑞达电子（香港）有限公司

FONRITA ELECTRONICS (H.K) CO., LTD.

地址：广东省深圳市龙华新区大浪鹤山路口光浩工业园F栋4楼

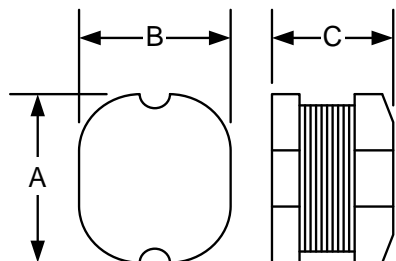
TEL:0755-26617190

FAX:0755-26162625

<b>CUSTOMER :</b>		<b>PART NO.</b>	
<b>SPECIFICATIONS</b>		<b>DATE</b>	
<b>PART NAME</b>	<b>DATA SHEET</b>	<b>SPEC(TYPE)</b>	FCD54-221K-NP

**TEST INSTRUMENT**

- 1. HP 4285A PRECISION LCR METER
- 2. WAYNE PMA3260A LCR METER
- 3. ZENTECH 9052 PROGRAMMABLE AUTO SAFETY TESTER
- 4. WAYNE KERR 3265A CURRENT SOURCE



ELECTRICAL CHARACTERISTICS				DIMENSION			
ITEM	L (μH)	RDC(Ω)	IDC(A)	A	B	C	
SPEC.	1KHz/0.25V	Max.	Max.	m/m	m/m	m/m	
	220±10%	1.57	0.35	5.8±0.3	5.2±0.3	4.5±0.3	
1							
2							
3							
4							
5							
6							
7							
8							
9							
10							
$\bar{X}$							
R							
TEST CONDITION		TEMP:	25°C		HUMIDITY:	50%	
MADE BY			CHECKED BY		APPROVED BY		
张达			黎敏		邓锋		



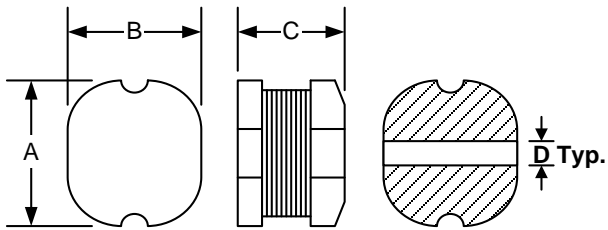
方瑞达电子(香港)有限公司

FONRITA ELECTRONICS (H.K) CO.,LTD.



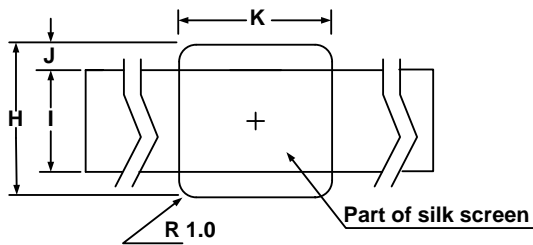
CUSTOMER :		PART NO.	
<b>SPECIFICATIONS</b>		DATE	
PART NAME	DIMENSION	SPEC(TYPE)	FCD54-221K-NP
		UNIT	m/m

■ **SHAPE&DIMENSION**



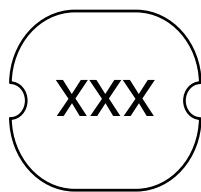
<b>A</b>	<b>5.8±0.3</b>
<b>B</b>	<b>5.2±0.3</b>
<b>C</b>	<b>4.5±0.3</b>
<b>D</b>	<b>1.3Typ.</b>

■ **LAND PATTERN**



<b>H</b>	<b>6.0</b>
<b>I</b>	<b>1.7</b>
<b>J</b>	<b>2.15</b>
<b>K</b>	<b>5.5</b>

■ **MARK**

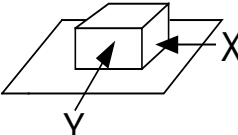
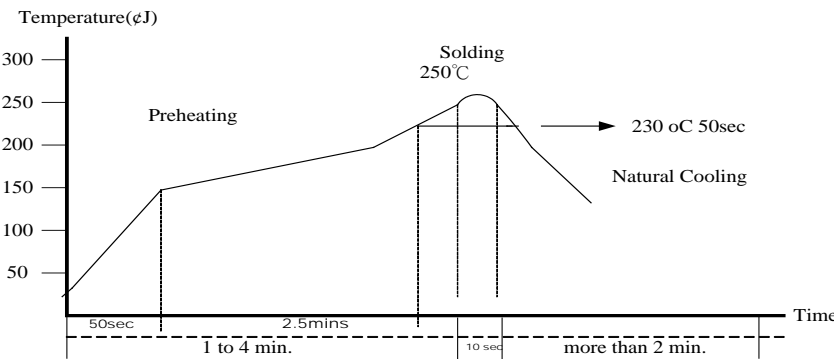


**MARK COLOR : BLACK or WHITE**



<b>CUSTOMER :</b>		<b>PART NO.</b>	
<b>SPECIFICATIONS</b>		<b>DATE</b>	
<b>PART NAME</b>	<b>MATERIAL LIST</b>	<b>SPEC(TYPE)</b>	FCD54-221K-NP
<b>■ MATERIAL LIST</b>			
<b>ITEM</b>	<b>MATERIAL</b>	<b>SUPPLIER OF MATERIAL</b>	<b>UL NO.</b>
CORE	DR 5.8*4.5	FENGYIN ELECTRONICS CORP.	
		OR EQUIA	
WIRE	MAGNET WIRE 2UEW	JUNG SHING WIRE CO LTD., OR EQUIA	E174837
		PACIFIC ELECTRICAL CO. LTD., OR EQUIA	E84081
		TA YA ELECTRICAL CO., LTD DIFA	E84201
		RONSEN SUPER MICRO-WIER CO., LTD	E164502®
Wire Temperature Classification	155°C		
SOLDER	Sn/3.0Ag/0.5Cu	SONET METAL . LTD. OR EQUIA	
BASE		SHEN SHENG ENTERPRISE CO., LTD.	
EPOXY	WK-1005	WINKING INDUSTRIAL CO., LTD OR EQUIA	



<b>CUSTOMER :</b>		<b>PART NO.</b>	
<b>SPECIFICATIONS</b>		<b>DATE</b>	
<b>PART NAME</b>	<b>GENERAL CHARACTERISTI</b>	<b>SPEC(TYPE)</b>	FCD54-221K-NP
<b>Operating Temperature</b>	-20°C to +85°C (Contain Heating coil)		
<b>Storage Temperature</b>	-40°C to +125°C		
<b>Appearance Inspection</b>	No external defects by visual inspection		
<b>Terminal Strength</b>	After soldering, between copper plate and terminals of coil,		
	Push in two directions of X, Y with standing as below conditions.		
	Terminal should not peeled off.		
	(Refer to figure at right)		
	5.0 N 10sec.		
<b>Heat endurance of reflow soldering</b>	Refer to below figure		
<b>Insulating resistance</b>	Over 100MΩat 100V D.C. between wire and core.		
<b>Dielectric strength</b>	No dielectric breakdown at 100V D.C. for 1 minute		
	Between wire and core.		
<b>Temperature characteristic</b>	Inductance coefficient(0~2,000)×10-6 /°C		
	(-25°C~+80°C)		
<b>Humidity characteristic</b>	Inductance deviation with ±5.0%, after 96 hours		
	in 90~95% relative humidity at 40±2°C and 1hour		
	drying under normal condition.		
<b>Vibration resistance</b>	Inductance deviation with ±5.0% after vibration for 1 hour.		
	In each of three orientations at sweep vibration		
	(10~55~10Hz) with 1.5mm p-p amplitude.		
 <p>The graph plots Temperature (°C) on the y-axis (0 to 300) against Time on the x-axis. The process starts with a 50-second preheating phase. This is followed by a 1 to 4 minute heating phase. The soldering phase is a peak at 250°C, which is maintained for 10 seconds. The cooling phase is labeled 'Natural Cooling' and occurs at a rate of 230 °C per 50 seconds. The final cooling phase is labeled 'more than 2 min.'.</p>			
A test is made under the above mentioned condition, and it is kept for 2 hours in the normal temperature and humidity. After that, no mechanical and electrical defect should be found.			



方瑞达电子(香港)有限公司

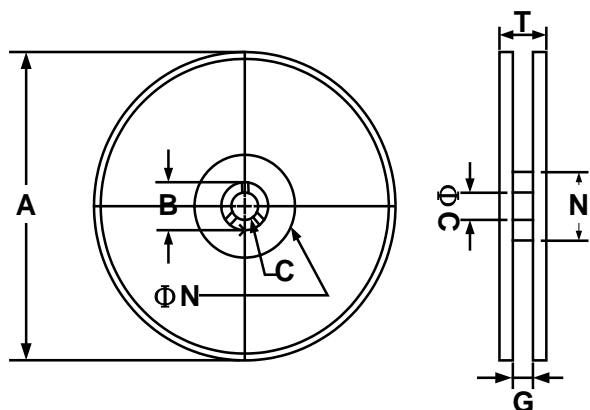
FONRITA ELECTRONICS (H.K.) CO.,LTD.



. 4.

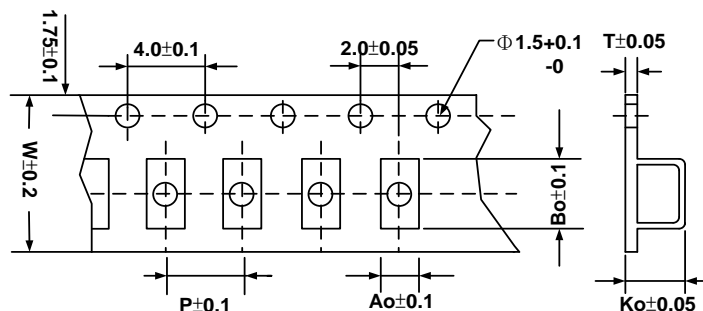
CUSTOMER :		PART NO.	
SPECIFICATIONS		DATE	
PART NAME	CARRIER & REEL	SPEC(TYPE)	FCD54-221K-NP

REEL DIMENSION



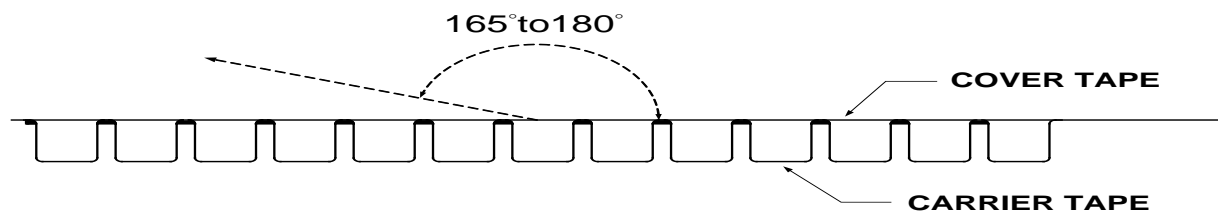
A	330
B	21.0±0.8
C	13.0±0.2
G	16.4 <sup>+1.5</sup> <sub>-0</sub>
N	100
T	20.4
TYPE	16
MATERIAL	PLASTIC

CARRIER DIMENSION

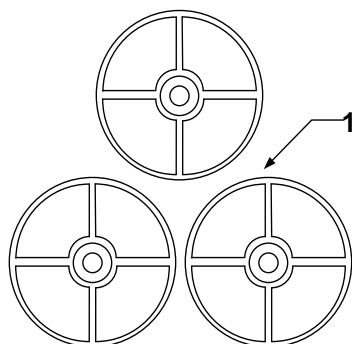


Ao	7.6
Bo	7.6
Ko	5.4
W	16
P	12
T	0.4

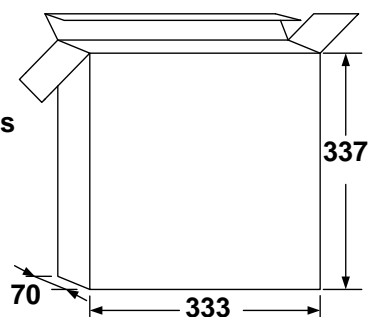
THE FORCE FOR TEARING OFF COVER TAPE IS 10 TO 60 GRAMS IN THE ARROW DIRECTION



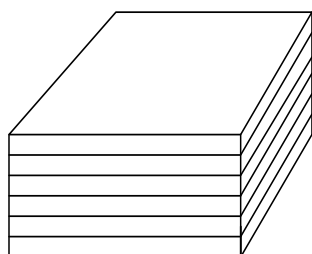
<b>CUSTOMER :</b>		<b>PART NO.</b>	
<b>SPECIFICATIONS</b>		<b>DATE</b>	
<b>PART NAME</b>	<b>FCD TYPE</b>	<b>SPEC(TYPE)</b>	FCD54-221K-NP



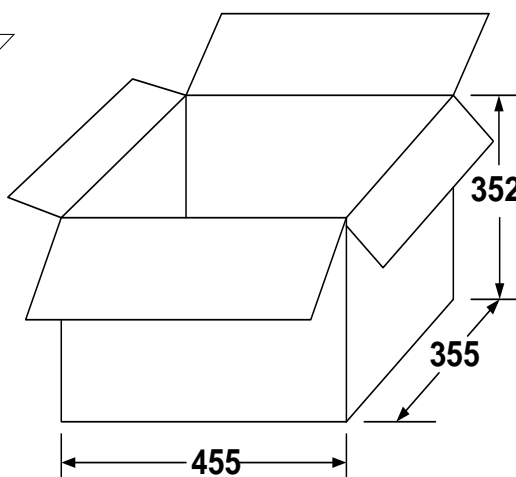
1 REEL=1,500pcs



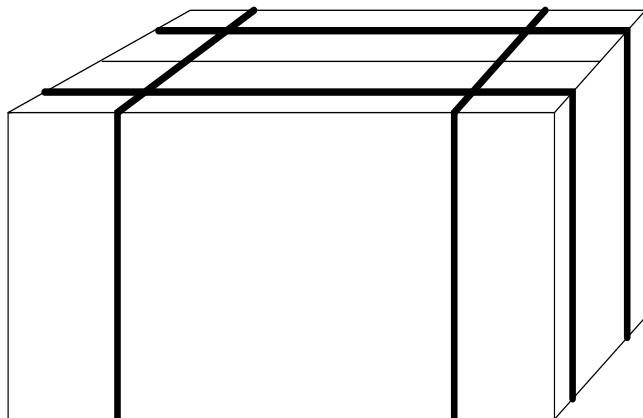
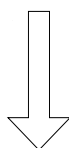
INNER BOX (4,500pcs)



INNER BOX x5 (4,500pcs)



OUT BOX (22,500pcs)



方瑞达电子(香港)有限公司

FONRITA ELECTRONICS (H.K) CO.,LTD.

