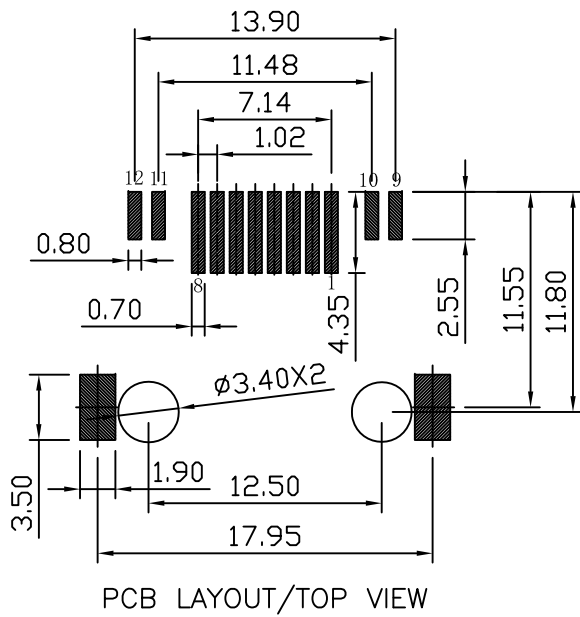
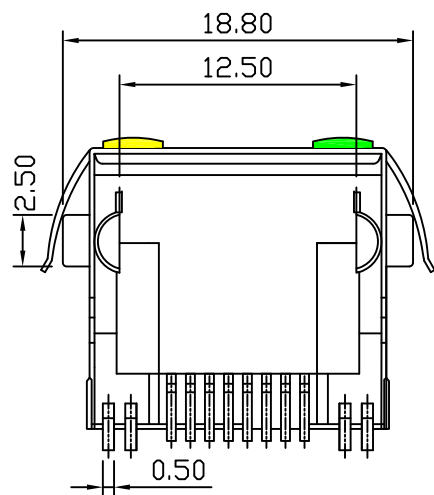
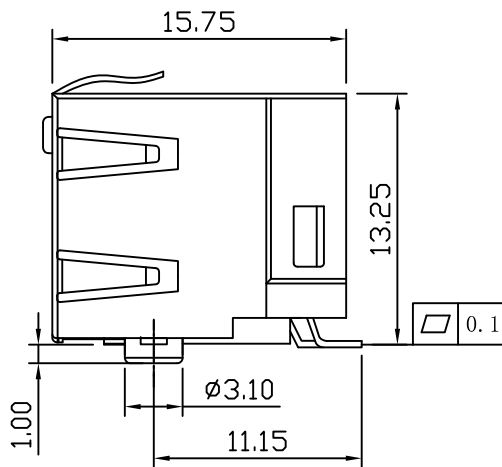
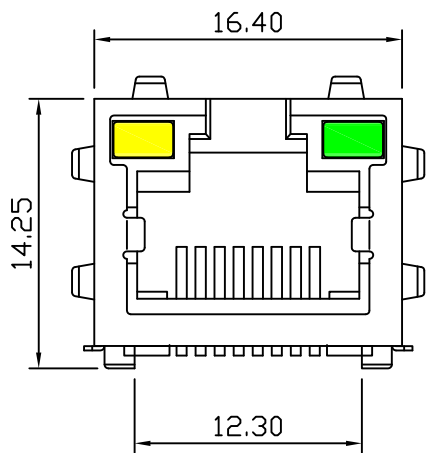


Mechanical:

REV.	ECN NO.	DESCRIPTION	DATE	APPD
A	REL		2015-07-03	



NOTES:

Electrical:

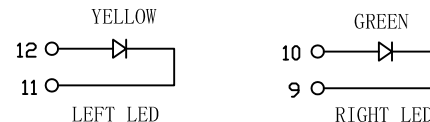
- 1. Voltage rating : 125 VAC RMS
- 2. Current Rating : 1.5 AMP
- 3. Contact resistance : 20 mΩ Max
- 4. Insulation resistance : 1000 MΩ Min @500V DC
- 5. Dielectric strength : 1000 VAC RMS 50Hz, 1MIN.

MECHANICAL:

- 1. Housing & Insert Material : PBT UL94V-0.
- 2. Contact Material : Phospor bronze T=0.30mm
- 3. Plating : Gold Plating OVER nickel, Gold plated on content area 3U"
- 4. Operating Life : 750 Cycles Min.

ENVIRONMENTAL:

- 1. Storage : -40°C ~ +85°C
- 2. Operation : -40°C ~ +85°C.
- 3. Wave solder temperature : 265°C 5 Sec MAX
- 4. IR temperature : 250°C, 5~10 Sec.



Emitting Color	λ p(nm)	VF@IF=20mA	IR @VR=5V
GREEN	565	1.8~2.4V	10 μ A max
YELLOW	585	1.8~2.4V	10 μ A max



X:X	±0.25	APPD:		
X:XX	±0.20	CHKD:		
X:XXX	±0.05	DR: SEA	TITLE: SMT RJ45 Connector	
ANGLES	±1°	UNIT: mm	PART NO.: KLKTRJE901AGNL	
	SCALE: 1/1	SHEET: 1/1	REV: A	DWG NO.: TRC15060910