



# PRODUCT SPECIFICATION

CUSTOMER : \_\_\_\_\_

CUSTOMER P.N. : \_\_\_\_\_

DESCRIPTION : European Standard Series

PRODUCT NO. : 0497

DATE : \_\_\_\_\_

Change History			
REV	Descriptions of Change	Changed Date	Notes
V1.0	Original Spec	2021/07/12	/

Prepared By	Review By	Approval By

Customer Authorized Signature
Please return to us one copy of "PRODUCT SPECIFICATION" with you approved signature.

ADD:No. 5 of Futian 10 Road, Gangkou Town, Zhongshan City, Guangdong Province, P. R. China.

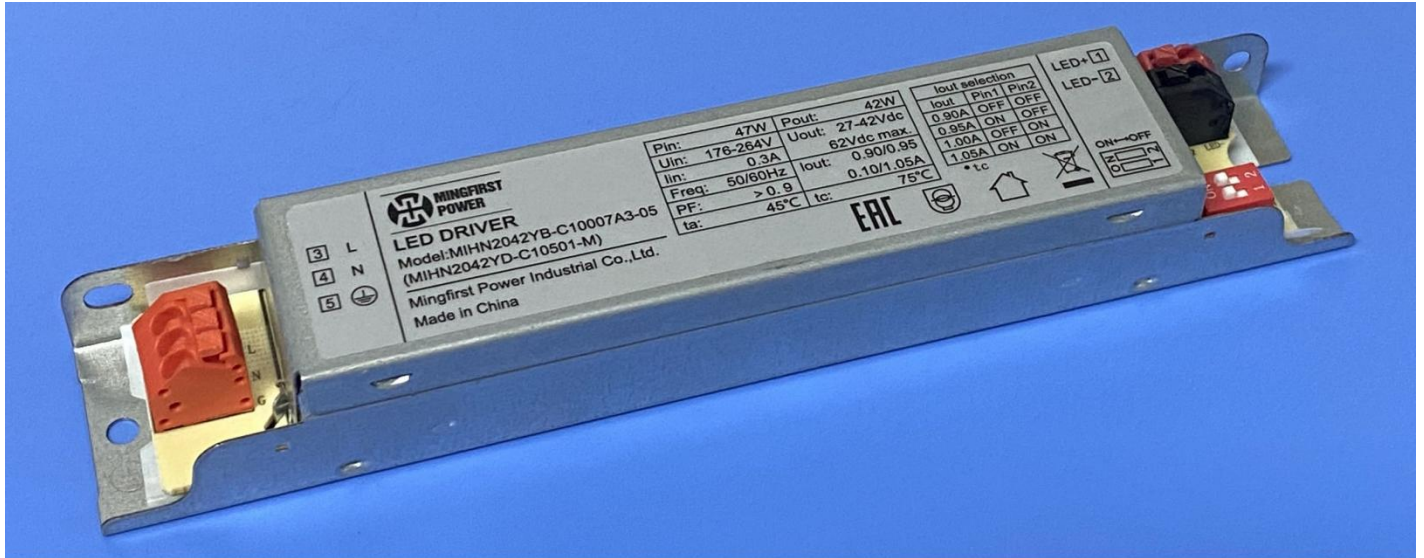
TEL: 0760-28175555

P.C.: 528447

FAX: 0760-28172988

E-mail:sales@meanf.com

<http://www.meanf.com>



## FEATURES

1. Output flicker-free, meeting the standard of Flicker-free
2. Input and output without locking screw fastening design freedom
3. Compact design
4. 176-264VAC input
5. Built in active PFC function, high PF, low THD
6. Turn on delay time  $< 0.5s$
7. Natural cooling
8. For indoor lighting only
9. 5 years warranty

## APPLICATION

1. LED indoor lighting
2. LED office lighting
3. LED architectural lighting



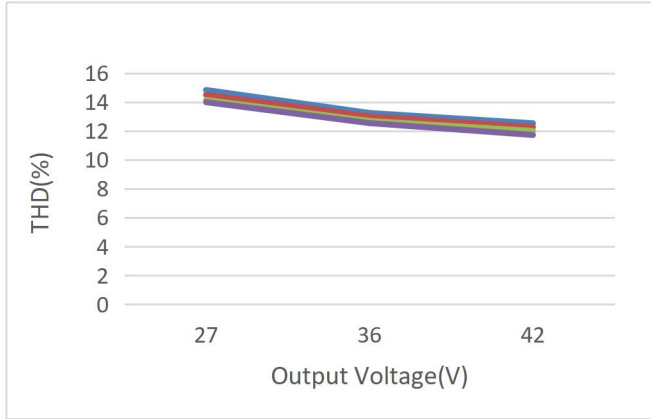
ELECTRICAL SPECIFICATION			
MODEL	MIHN2042YD-C10501-M	MIHN2042YD-C03501-M	
<b>OUTPUT</b>			
DC current	1.05A	0.35A	
DC voltage range	27-42V	75-120V	
Rated power	44W Max.	42W Max.	
Voltage ripple & noise note.2	≤420mV(Vpp)	≤420mV(Vpp)	
Current ripple & noise	≤50mA(RMS)	≤50mA(RMS)	
Constant current ADJ. range	0.9-1.05A	0.26-0.35A	
Constant current accuracy	±8%	±8%	
Line regulation	±8%	±8%	
Load regulation	±8%	±8%	
<b>INPUT</b>			
Rated voltage	220-240VAC		
Input voltage range	176-264VAC		
Frequency range	50-60Hz		
Power factor	PF>0.9 @ 230VAC/full load		
Total harmonic distortion	THD<15% @ 230VAC/full load		
Efficiency (Typ.)	85%		
Standby power	N/A		
Input current	<0.3A		
Inrush current(Typ.)	See data table for details		
Max. No. of PSUs on 16A circuit breaker	See data table for details		
Turn on delay	<0.5s		
<b>PROTECTION</b>			
Short circuit	If the output appears unusual, causes the product of anode and short sub, this product will start short circuit protection function, and not because this abnormality in product permanent damage		
Max output voltage	60V/150V		
Over temperature	The output shall hiccup when the temperature exceed the standard value, and shall be self-recovery when the fault condition is removed		
<b>ENVIRO-HMENT</b>			
Operation temperature	-20-60℃		
Operation humidity	10-90% RH non-condensing		
Storage temperature/humidity	-40-70℃ 5-95% RH		
IP class	IP20		
Vibration	10 to 300Hz sweep at a constant acceleration of 1.0G(Breadth: 3.5mm) for 1Hour for each of the perpendicular axes X, Y, Z		
Tc Note.4	Tc=80℃(Ta=45℃)		
MTBF	The MTBF shall be at least 50,000hours at 25℃, Full load and nominal input condition		
LIFETIME	See life curve for details		
<b>EMC</b>			
EMC emission Note.3	Compliance to EN55015:2006+A1 2007,EN61000-3-2:2000,CLASS A ,EN61000-3-3:1995+A1:2001		
EMC immunity	Compliance to EN61000-4-2,3,5,8,11 EN61000-3-2,3 EN61000-6-1,3		
<b>SAFETY</b>			
Safety standards	EN61347-1/2-13,GB19510.1/14,EN62384		
Flicker-free standard	GB19510,IEC/EN61547,IEC61347/IEC62384,AS/NZS 4417		
Stroboscopic depth	< 0.85% , frequency < 100 Hz		
Certificate	CCC ,CE /TUV ,EAC		
Dielectric Strength	Primary to Secondary: 3750Vac 10mAmax / 60second(1second for production)		
Surge	DM 1 KV (L - N)		
Leakage current	0.5mAmax @ 264Vac/50HZ		
Isolation resistance	50MΩ min. at primary to secondary add 500Vdc test voltage		
<b>INTERFACE</b>			
Environmental protection	RoHS		
Input connection	PCB connector/3PIN/grey+grey/0.75-1.5mm <sup>2</sup>		
Output connection	PCBconnector/2PIN/black+red/0.5-1.5mm <sup>2</sup>		
<p>NOTE: 1.All parameter are measured at 230VAC input, rated load and 25℃ of ambient temperature.                  2.Ripple &amp; Noise are measured at 20MHz of bandwidth by using a 12 "twisted pair-wire terminated with a 0.1uF &amp; 47uF paralld capacitor.                  3.The power supply is considers as a compent that will be operated in combination with final equipment.Since EMC performance will be affected by the complete installation the final equipment manufactures must re-quality EMC directive on the complete installation again.                  4.If this driver used for led lighting,the TC should not higher than TC showed on the driver when the lighting working on the highest rated working temprature.</p>			



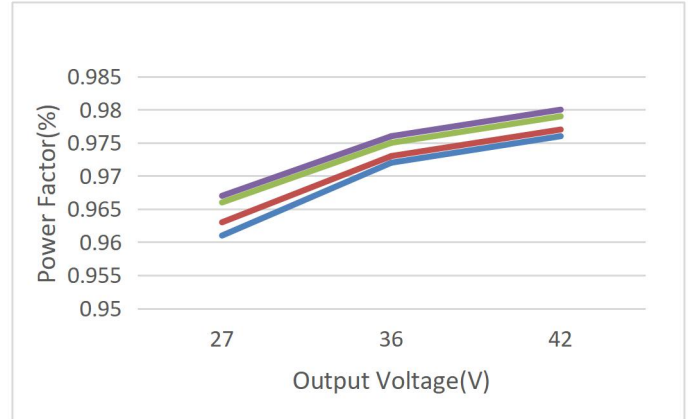
Electrical characteristics

MODEL:MIHN2042YD-C10501-M Electrical characteristics(@230VAC)

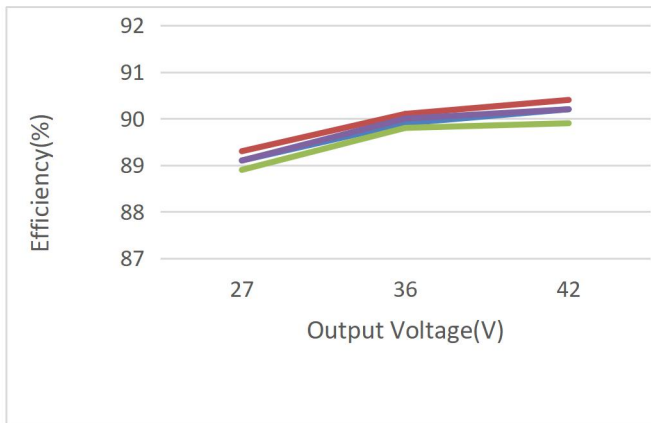
THD vs.Load



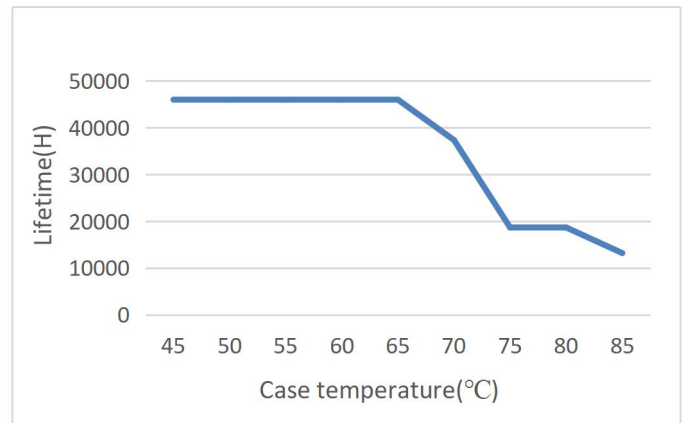
Power factor vs.Load



Efficiency vs.Load



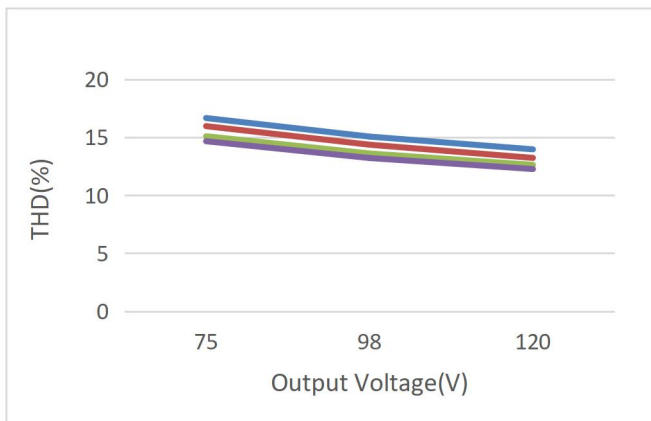
Lifetime vs. case temperature



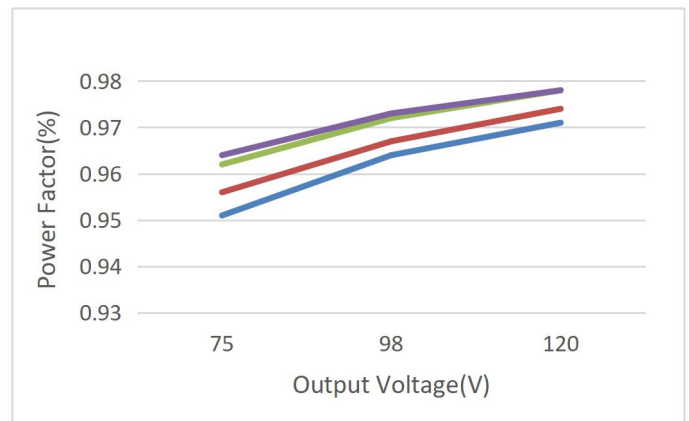
Electrical characteristics

MODEL:MIHN2042YD-C03501-M Electrical characteristics(@230VAC)

THD vs.Load

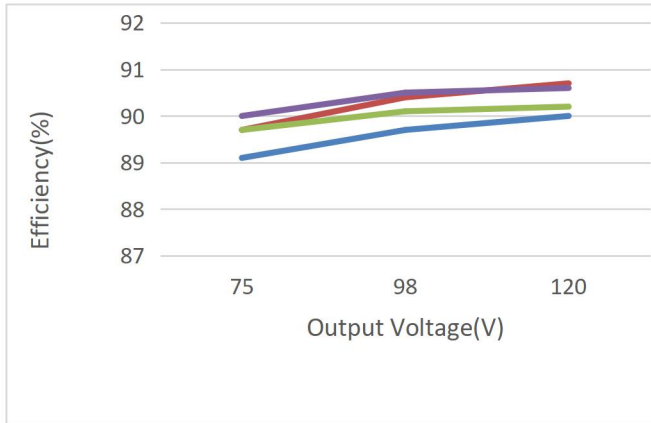


Power factor vs.Load

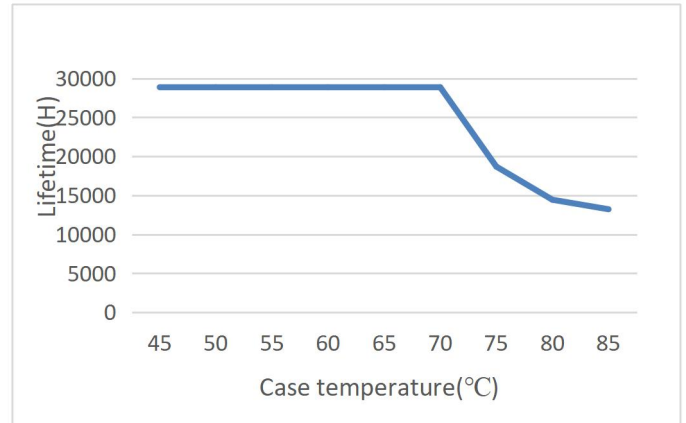




Efficiency vs.Load



Lifetime vs. case temperature



Surge curve

MIHN2042YD-C10501-M

Specification item	Value	unit	Condition
Inrush current Ipeak	17.4	A	Input voltage 230V
Inrush current Twidth	2.8	us	Input voltage 230V,width at 50% peak
Drivers/MCB 16A type B	≤88	PCS	

MIHN2042YD-C03501-M

Specification item	Value	unit	Condition
Inrush current Ipeak	20.4	A	Input voltage 230V
Inrush current Twidth	3.8	us	Input voltage 230V,width at 50% peak
Drivers/MCB 16A type B	≤100	PCS	

MCB B	Rating 10A	Relative number of LED driver 63%
B	10A	63%
B	13A	81%
B	16A	100%(stated in data sheet)
B	20A	125%
B	25A	156%
C	10A	104%
C	13A	135%
C	16A	170%
C	20A	208%
C	25A	260%

Label

MIHN2042YD-C10501-M

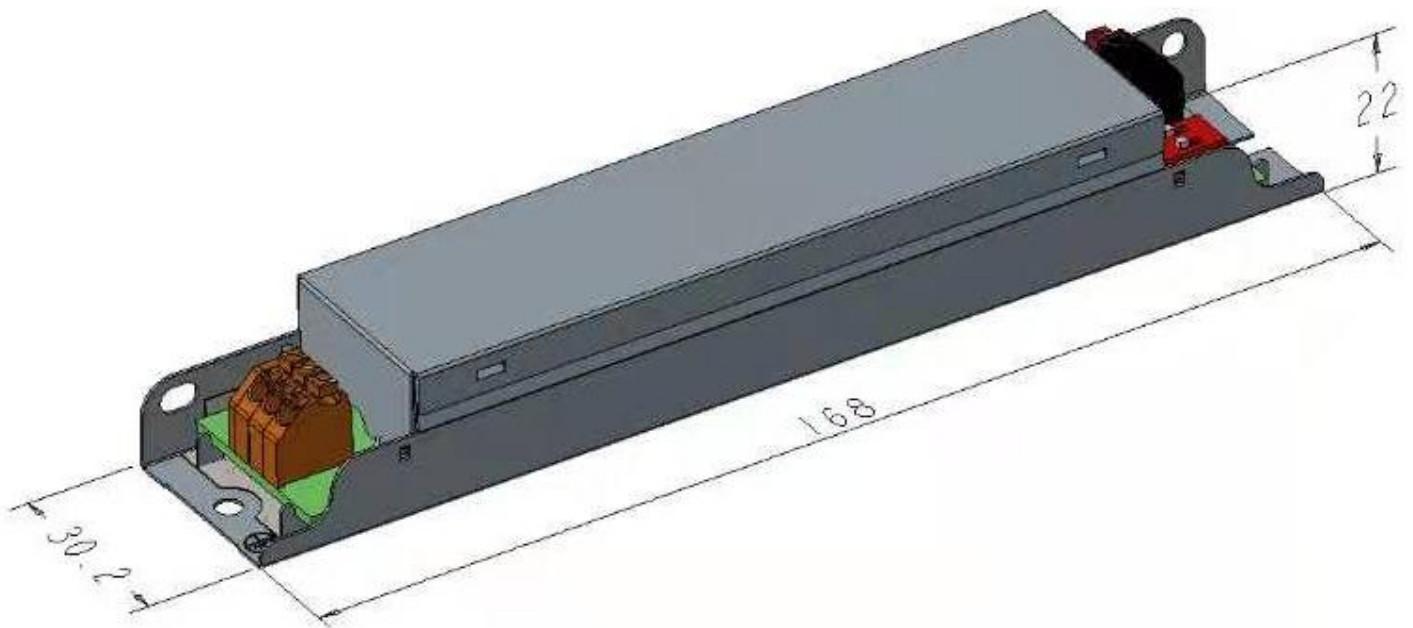
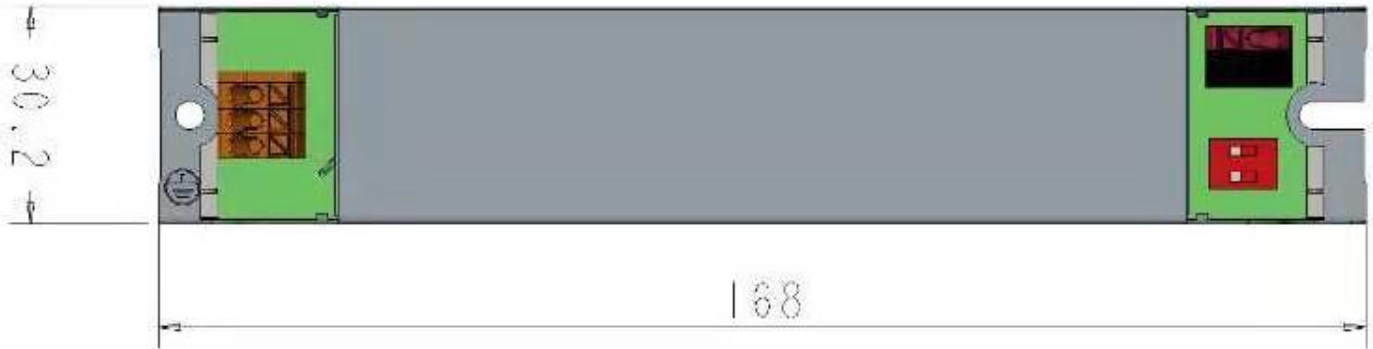
 <b>MINGFIRST POWER</b> LED DRIVER Model:MIHN2042YD-C10501-M MeanFull Power Supply Technology Co., Ltd Made in China	Pin: 47W Uin: 176-264V Iin: 0.3A Freq: 50/60Hz PF: > 0.9 ta: 45°C	Pout: 42W Uout: 27-42Vdc 62Vdc max. Iout: 0.90/0.95 0.10/1.05A tc: 75°C	<table border="1"> <thead> <tr> <th colspan="3">Iout selection</th> </tr> <tr> <th>Iout</th> <th>Pin1</th> <th>Pin2</th> </tr> </thead> <tbody> <tr> <td>0.90A</td> <td>OFF</td> <td>OFF</td> </tr> <tr> <td>0.95A</td> <td>ON</td> <td>OFF</td> </tr> <tr> <td>1.00A</td> <td>OFF</td> <td>ON</td> </tr> <tr> <td>1.05A</td> <td>ON</td> <td>ON</td> </tr> </tbody> </table>	Iout selection			Iout	Pin1	Pin2	0.90A	OFF	OFF	0.95A	ON	OFF	1.00A	OFF	ON	1.05A	ON	ON	LED+ [1] LED- [2]  ON ↔ OFF
	Iout selection																					
Iout	Pin1	Pin2																				
0.90A	OFF	OFF																				
0.95A	ON	OFF																				
1.00A	OFF	ON																				
1.05A	ON	ON																				
[3] L [4] N [5]																						



MIHN2042YD-C03501-M

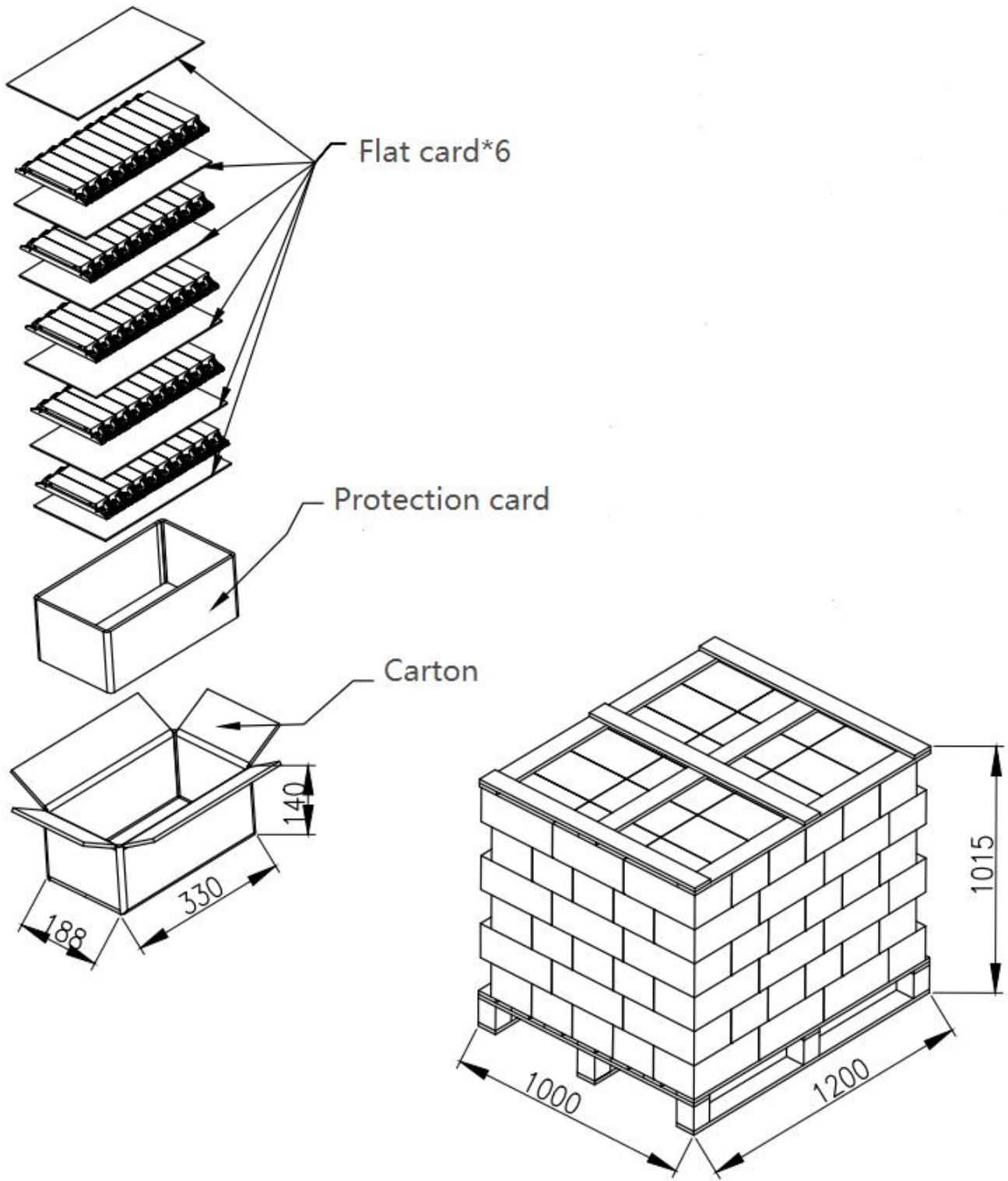
<div style="display: flex; flex-direction: column; align-items: center;"> <div style="margin-bottom: 5px;">③ L</div> <div style="margin-bottom: 5px;">④ N</div> <div style="margin-bottom: 5px;">⑤ </div> </div>	 <b>MINGFIRST POWER</b> <b>LED DRIVER</b> Model: MIHN2042YD-C03501-M MeanFull Power Supply Technology Co., Ltd Made in China	Pin: 48W	Pout: 42W	Iout selection		LED+ ①	
		Uin: 176-264V	Uout: 75-120Vdc	Iout	Pin1	Pin2	LED- ②
		Iin: 0.3A	160Vdc max.	0.26A	OFF	OFF	 ON ↔ OFF
		Freq: 50/60Hz	Iout: 0.26/0.29	0.29A	ON	OFF	
		PF: > 0.9	0.32/0.35A	0.32A	OFF	ON	
ta: 45°C	tc: 75°C	0.35A	ON	ON			

### Mechanical Specification (Unit:mm)





Product package (Unit:mm)



Model	Product size	Weight	Flat card	Carton size	Packing	N.W	G.W
0497	L168*W30.2*H22mm	130.6g	L310*W170*H2.8mm	L330*W188*H140mm	50pcs	/kg	/kg