



PRODUCT SPECIFICATION

CUSTOMER : _____

CUSTOMER P.N. : _____

DESCRIPTION : European Standard Series

PRODUCT NO. : 0498

DATE : _____

Change History			
REV	Descriptions of Change	Changed Date	Notes
V1.0	Original Spec	2021/07/12	/

Prepared By	Review By	Approval By

Customer Authorized Signature
Please return to us one copy of "PRODUCT SPECIFICATION" with you approved signature.

ADD:No. 5 of Futian 10 Road, Gangkou Town, Zhongshan City, Guangdong Province, P. R. China.

TEL: 0760-28175555

P.C.: 528447

FAX: 0760-28172988

E-mail:sales@meanf.com

http://www.meanf.com



FEATURES

1. Output flicker-free, meeting the standard of Flicker-free
2. Input and output without locking screw fastening design freedom
3. Compact design
4. 176-264VAC input
5. Built in active PFC function, high PF, low THD
6. Turn on delay time $< 0.5s$
7. Natural cooling
8. For indoor lighting only
9. 5 years warranty

APPLICATION

1. LED indoor lighting
2. LED office lighting
3. LED architectural lighting



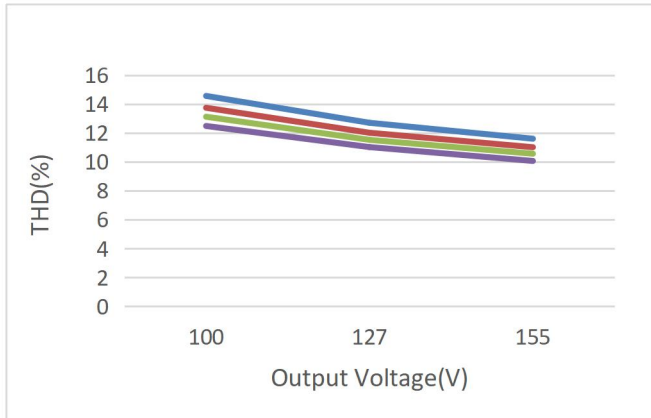
ELECTRICALSPECIFICATION	
MODEL	MIHN2050YD-C03501-M
OUTPUT	
DC current	0.35A
DC voltage range	100-155V
Rated power	54W Max.
Voltage ripple & noise note.2	≤420mV(Vpp)
Current ripple & noise	≤50mA(RMS)
Constant current ADJ. range	0.26-0.35A
Constant current accuracy	±8%
Line regulation	±8%
Load regulation	±8%
INPUT	
Rated voltage	220-240VAC
Input voltage range	176-264VAC
Frequency range	50-60Hz
Power factor	PF>0.9 @ 230VAC/full load
Total harmonic distortion	THD<15% @ 230VAC/full load
Efficiency (Typ.)	85%
Standby power	N/A
Input current	<0.36A
Inrush current(Typ.)	See data table for details
Max. No. of PSUs on 16A circuit breaker	See data table for details
Turn on delay	<0.5s
PROTECTION	
Short circuit	If the output appears unusual, causes the product of anode and short sub, this product will start short circuit protection function, and not because this abnormality in product permanent damage
Max output voltage	180V
Over temperature	The output shall hiccup when the temperature exceed the standard value, and shall be self-recovery when the fault condition is removed
ENVIRO-HMENT	
Operation temperature	-20-60℃
Operation humidity	10-90% RH non-condensing
Storage temperature/humidity	-40-70℃ 5-95% RH
IP class	IP20
Vibration	10 to 300Hz sweep at a constant acceleration of 1.0G(Breadth: 3.5mm) for 1Hour for each of the perpendicular axes X, Y, Z
Tc Note.4	Tc=75℃(Ta=45℃)
MTBF	The MTBF shall be at least 50,000hours at 25℃, Full load and nominal input condition
LIFETIME	See life curve for details
EMC	
EMC emission Note.3	Compliance to EN55015:2006+A1 2007,EN61000-3-2:2000,CLASS A ,EN61000-3-3:1995+A1:2001
EMC immunity	Compliance to EN61000-4-2,3,5,8,11 EN61000-3-2,3 EN61000-6-1,3
SAFETY	
Safety standards	EN61347-1/2-13,GB19510.1/14,EN62384
Flicker-free standard	GB19510,IEC/EN61547,IEC61347/IEC62384,AS/NZS 4417
Stroboscopic depth	< 0.85% , frequency < 100 Hz
Certificate	CCC ,CE /TUV ,VDE
Dielectric Strength	Primary to Secondary: 3750Vac 10mAMax / 60second(1second for production)
Surge	DM 1 KV (L - N)
Leakage current	0.5mAMax @ 264Vac/50HZ
Isolation resistance	50MΩ min. at primary to secondary add 500Vdc test voltage
INTERFACE	
Environmental protection	RoHS
Input connection	PCB connector/3PIN/grey+grey/0.75-1.5mm ²
Output connection	PCBconnector/2PIN/black+red/0.5-1.5mm ²
<p>NOTE:1.All parameter are measured at 230VAC input, rated load and 25℃ of ambient temperature. 2.Ripple & Noise are measured at 20MHz of bandwidth by using a 12 "twisted pair-wire terminated with a 0.1uF & 47uF paralld capacitor. 3.The power supply is considers as a compent that wil be operated in combination with final equipment.Since EMC performance will be affected by the complete installation the final equipment manufactures must re-quality EMC directive on the complete installation again. 4.If this driver used for led lighting,the TC should not higher than TC showed on the driver when the lighting working on the highest rated working temprature.</p>	



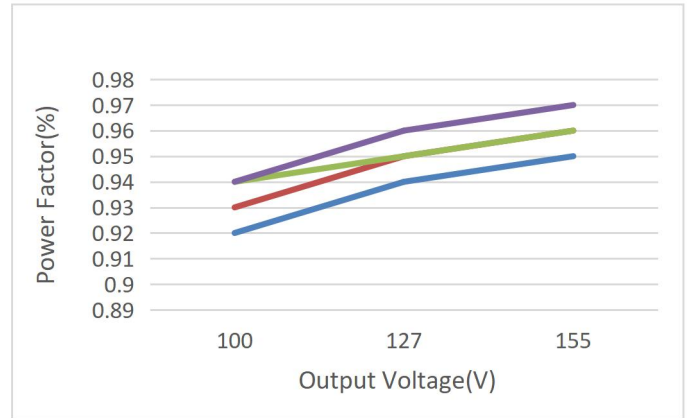
Electrical characteristics

MODEL:MIHN2050YD-C03501-M Electrical characteristics(@230VAC)

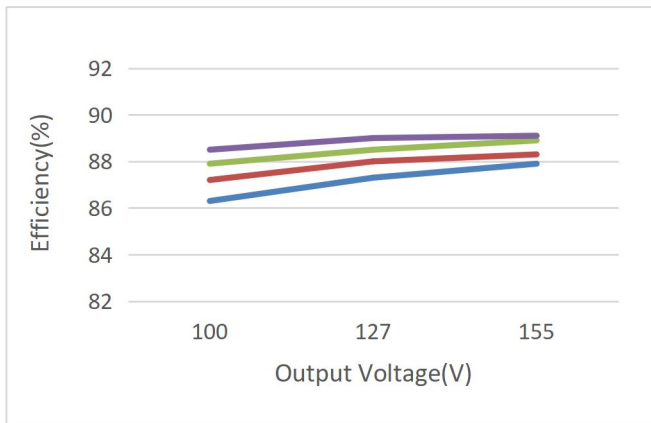
THD vs.Load



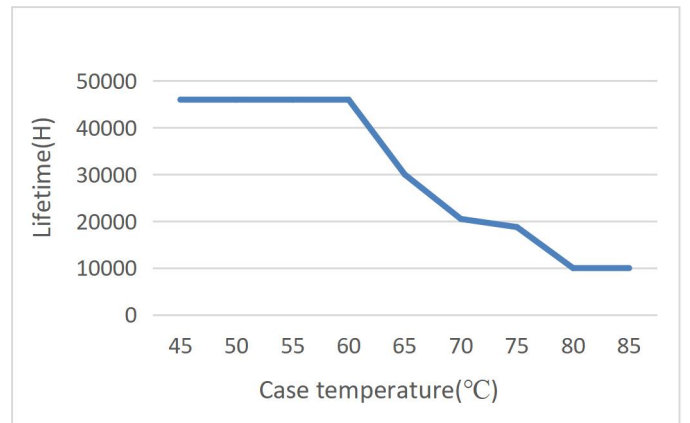
Power factor vs.Load



Efficiency vs.Load



Lifetime vs. case temperature



Surge curve

MIHN2050YD-C03501-M

Specification item	Value	unit	Condition
Inrush current Ipeak	19.04	A	Input voltage 230V
Inrush current Twidth	3.8	us	Input voltage 230V,width at 50% peak
Drivers/MCB 16A type B	≤100	PCS	

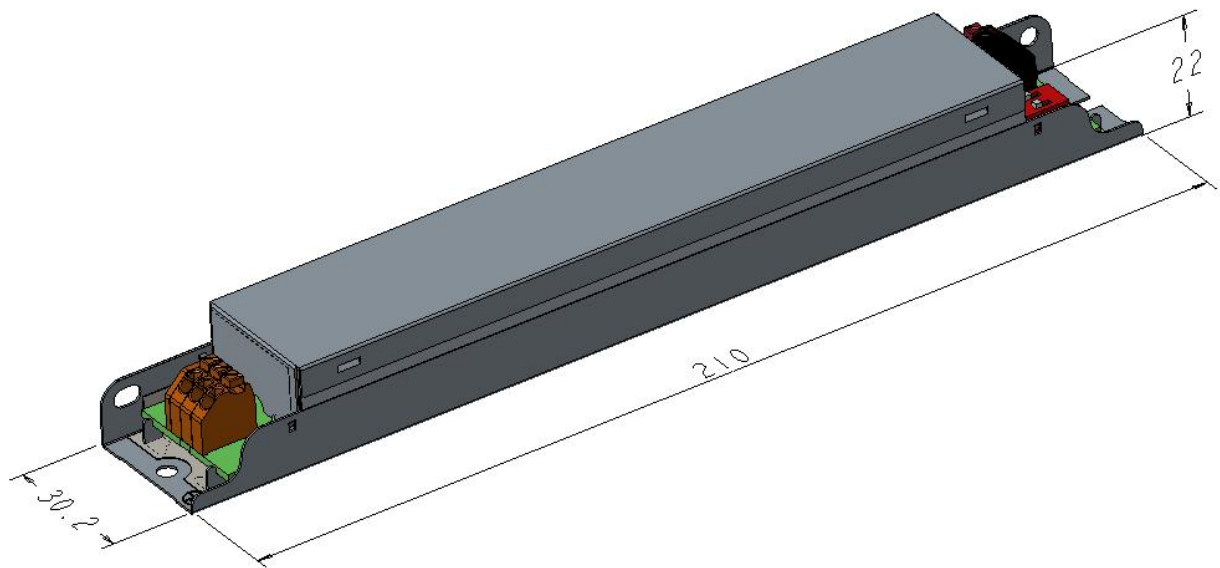
MCB B	Rating 10A	Relative number of LED driver 63%
B	10A	63%
B	13A	81%
B	16A	100%(stated in data sheet)
B	20A	125%
B	25A	156%
C	10A	104%
C	13A	135%
C	16A	170%
C	20A	208%
C	25A	260%



Label

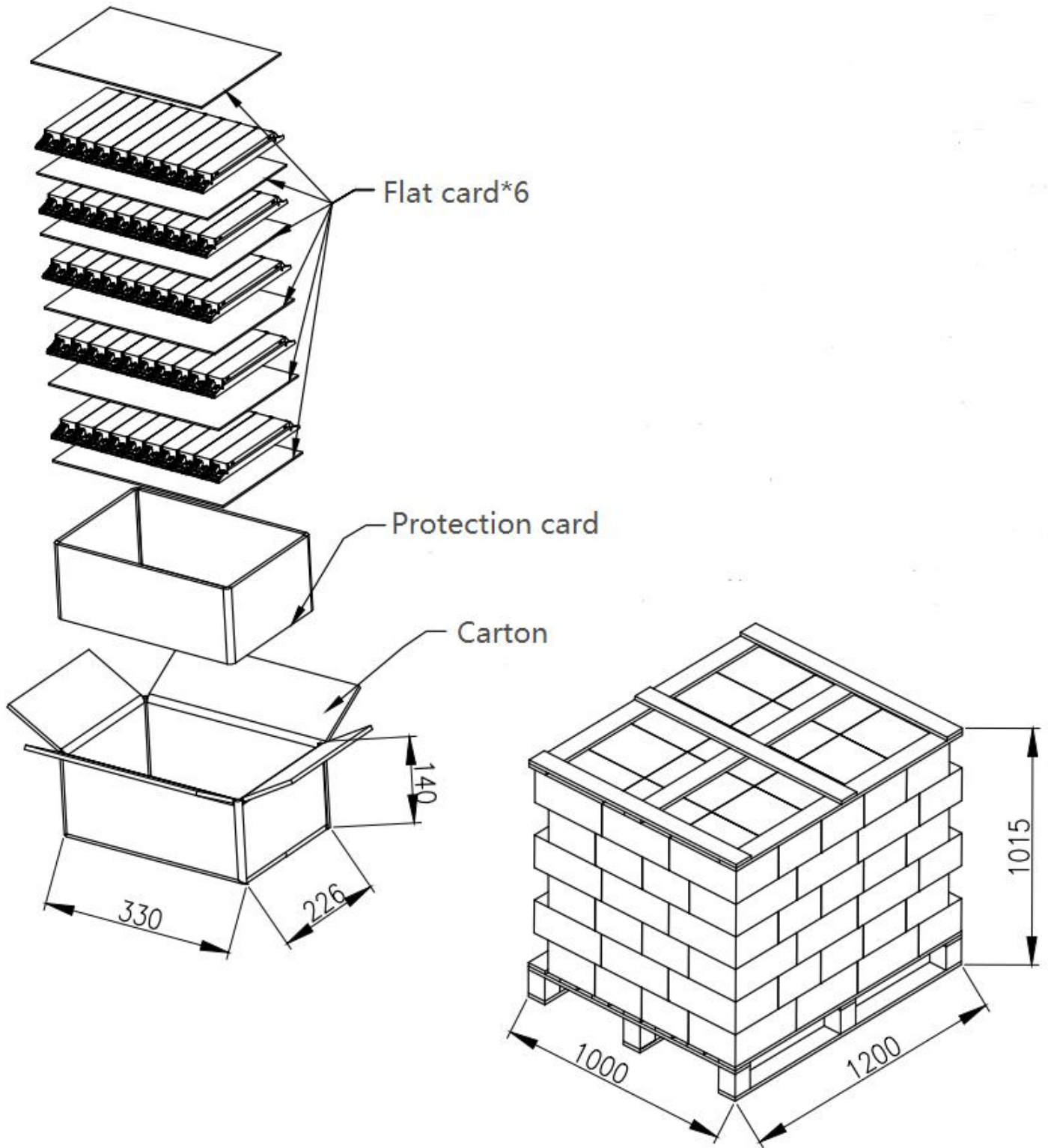
<div style="display: flex; flex-direction: column; align-items: center;"> <div style="border: 1px solid black; padding: 2px;">3</div> <div style="border: 1px solid black; padding: 2px;">4</div> <div style="border: 1px solid black; padding: 2px;">5</div> </div> <div style="display: flex; flex-direction: column; align-items: center; margin-top: 5px;"> <div>L</div> <div>N</div> <div></div> </div>	<p>LED DRIVER Model: MIHN2050YD-C03501-M MeanFull Power Supply Technology Co., Ltd Made in China</p>	Pin: 58W	Pout: 50 W	<table border="1"> <thead> <tr><th colspan="3">Iout selection</th></tr> <tr><th>Iout</th><th>Pin1</th><th>Pin2</th></tr> </thead> <tbody> <tr><td>0.26A</td><td>OFF</td><td>OFF</td></tr> <tr><td>0.29A</td><td>ON</td><td>OFF</td></tr> <tr><td>0.32A</td><td>OFF</td><td>ON</td></tr> <tr><td>0.35A</td><td>ON</td><td>ON</td></tr> </tbody> </table> <p style="text-align: center;">* tc</p>			Iout selection			Iout	Pin1	Pin2	0.26A	OFF	OFF	0.29A	ON	OFF	0.32A	OFF	ON	0.35A	ON	ON		<div style="display: flex; flex-direction: column; align-items: center;"> <div style="border: 1px solid black; padding: 2px;">LED+ 1</div> <div style="border: 1px solid black; padding: 2px;">LED- 2</div> </div> <div style="display: flex; justify-content: space-around; margin-top: 10px;"> <div></div> <div></div> </div>
		Iout selection																								
		Iout	Pin1				Pin2																			
		0.26A	OFF				OFF																			
		0.29A	ON				OFF																			
0.32A	OFF	ON																								
0.35A	ON	ON																								
Uin: 176-264V	Uout: 100-155Vdc																									
Iin: 0.36A	180Vdc max.																									
Freq: 50/60Hz	Iout: 0.26/0.29																									
PF: > 0.9	0.32/0.35A																									
ta: 45°C	tc: 75°C																									

Mechanical Specification





Product package



Model	Product size	Weight	Flat card	Carton size	Packing	N.W	G.W
0498	L210*W30.2*H22mm	169g	L310*W206*H2.8mm	L330*W226*H140mm	50pcs	/kg	/kg