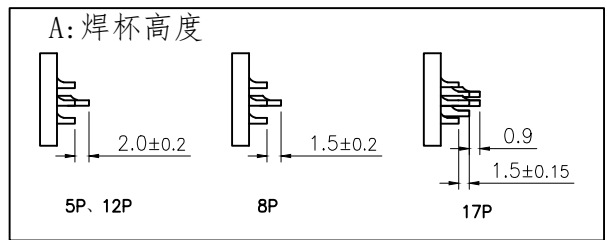
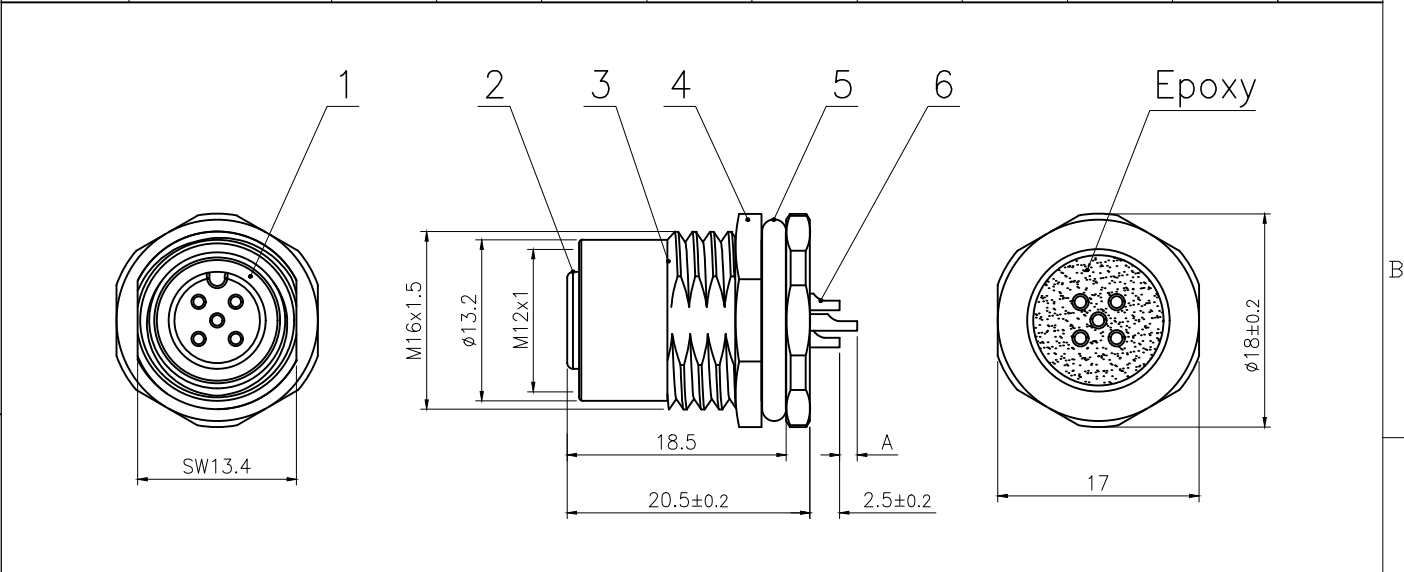
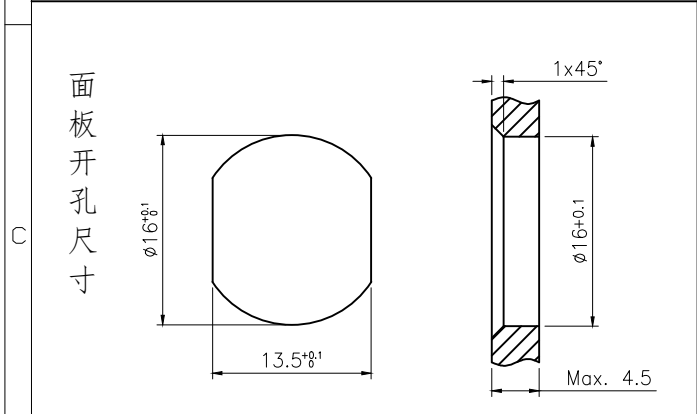
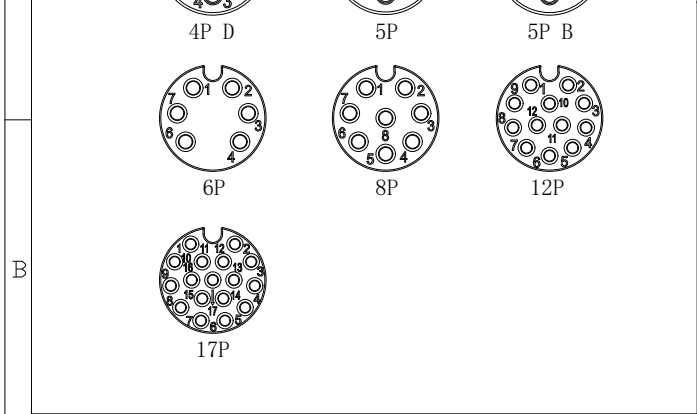


	1	2	3	4				5			6			
芯位排布				芯数	2	3	4	4D	5	5B	6	8	12	17
				额定电流/电压	4A/250V	4A/250V	4A/250V	4A/250V	4A/60V	4A/60V	2A/30V	2A/30V	1.5A/30V	1.5A/30V
				额定脉冲电压	2500V	2500V	2500V	2500V	1500V	1500V	800V	800V	800V	800V
		技术参数			绝缘电阻 (MΩ)	≥100	≥100	≥100	≥100	≥100	≥100	≥100	≥100	≥100
					接触电阻 (mΩ)	≤5	≤5	≤5	≤5	≤5	≤5	≤5	≤5	≤5



6	M12 焊线式母针	黄铜	镀金	pc	2~17
5	M12 法兰座外壳0型圈 $\phi 16 \times \phi 12 \times 2$	橡胶	/	pc	1
4	锁板六角螺母 M16X1.5	黄铜	镀镍	pc	1
3	M12 板后安装插座母头外壳	黄铜	镀镍	pc	1
2	M12 常规母胶芯	尼龙	/	pc	1
1	M12 母头胶芯0型圈 $\phi 9 \times \phi 6 \times 1.5$	橡胶	/	pc	1
No.	Specification	Material	Treat	Unit	Q'ty

GENERAL TOLERANCE (UNLESS SPECIFIED)	≤ 10	± 0.1
	$< 10 \sim \leq 20$	± 0.2
	$< 20 \sim \leq 50$	± 0.5
	Angle	$\pm 1^\circ$
 THIRD ANGLE	UNIT	REV
	MM	A
SIZE	SHEET	DRAWING NO
A4	1 OF 1	

STA·思大

TITLE M12-xF-S

PART NO

DRAWING NO