

Preliminary

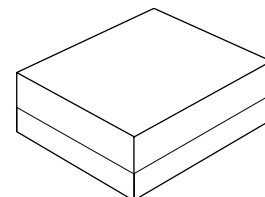


- Designed for RF Front-end Applications
- Excellent Rejection
- 1.45 x 1.15 mm Surface-mount Case
- Complies with Directive 2002/95/EC (RoHS)



SF2217K

**1591.5 MHz
SAW Filter**



SM1411-5 Case

Absolute Maximum Ratings

Rating	Value	Units
Maximum Incident Power in Passband	+10	dBm
Maximum DC Voltage On any Non-ground Terminal	3	VDC
Operating Temperature Range	-40 to +85	°C
Storage Temperature Range in Tape and Reel	-40 to +85	°C
Soldering Temperature Profile, 5 cycles/10 seconds maximum	265	°C

Electrical Characteristics

Characteristic	Sym	Notes	Min	Typ	Max	Units
Center Frequency	f_C			1591.5		MHz
Insertion Loss, 1574 to 1609 MHz	IL_{MAX}			2.4	3.7	dB
Amplitude Ripple, 1574 to 1609 MHz				1.3	2.6	dB _{P-P}
Group Delay Ripple, 1574 to 1609 MHz				17	50	ns _{P-P}
Rejection Referenced to 0 dB:						dB
10 to 1200 MHz			28	34		
1200 to 1450 MHz			28	34		
1450 to 1540 MHz			20	37		
1626 to 1710 MHz			9	31		
1710 to 2000 MHz			30	37		
2000 to 2500 MHz			30	37		
VSWR, 1574 to 1609 MHz				2.0:1	2.4:1	
Terminating Source impedance	Z_S			50		Ω
Terminating Load impedance	Z_L			50		Ω
Case Style				SM1411-5		
Lid Symbolization \square = year/month manufacturing code				B \square		

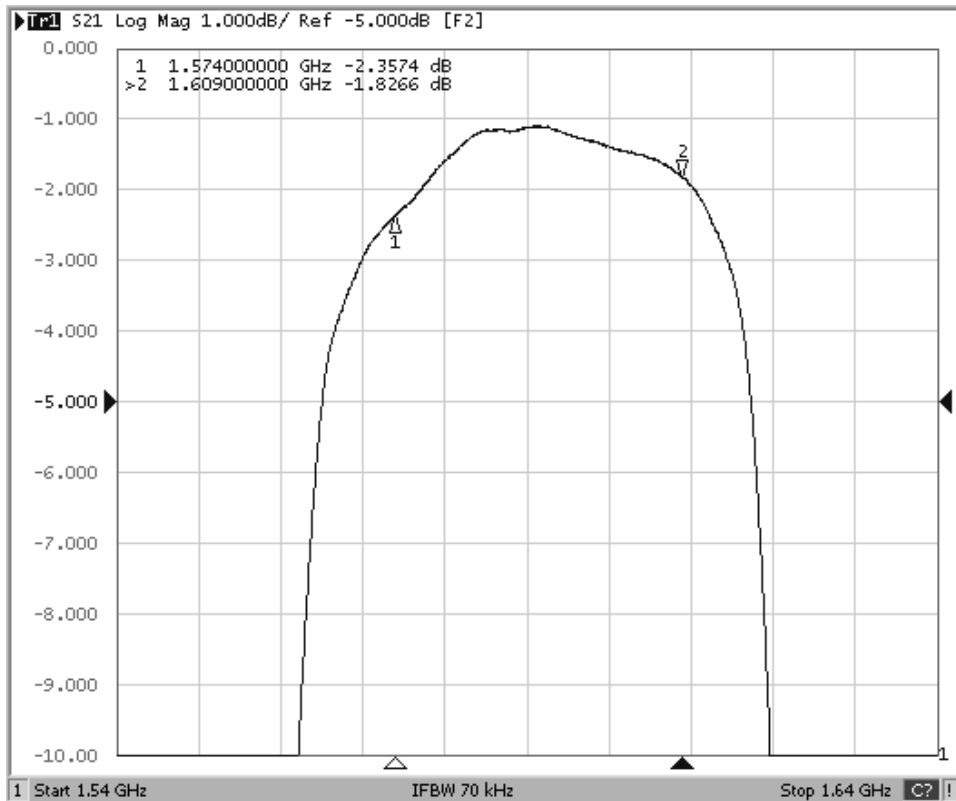
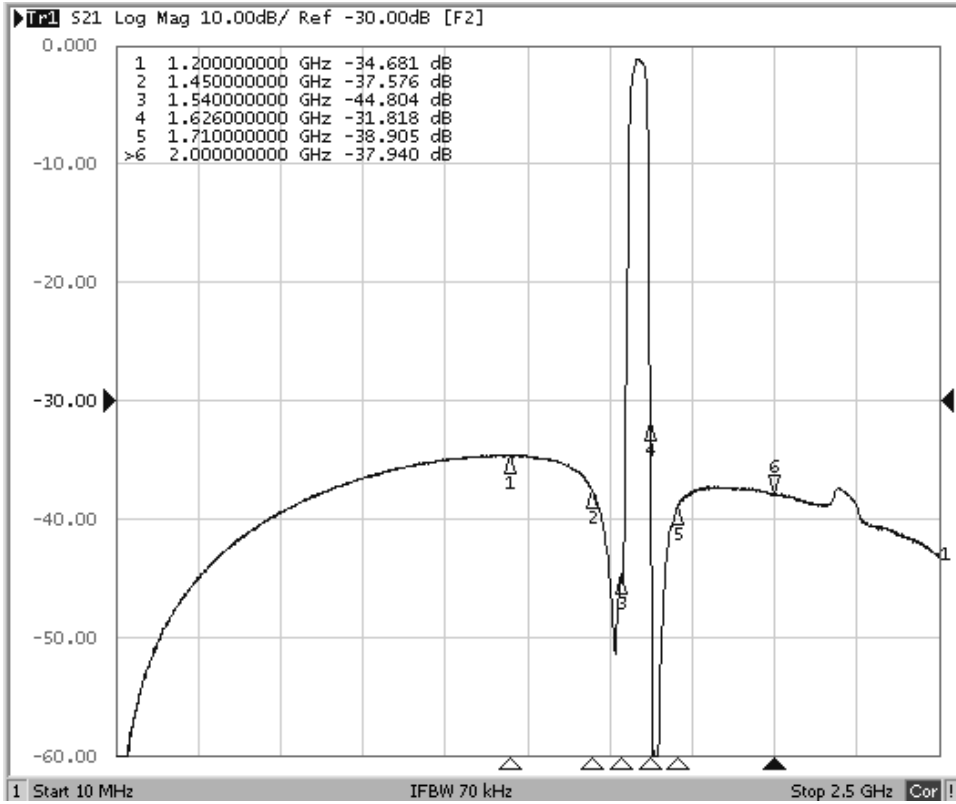


CAUTION: Electrostatic Sensitive Device. Observe precautions for handling.

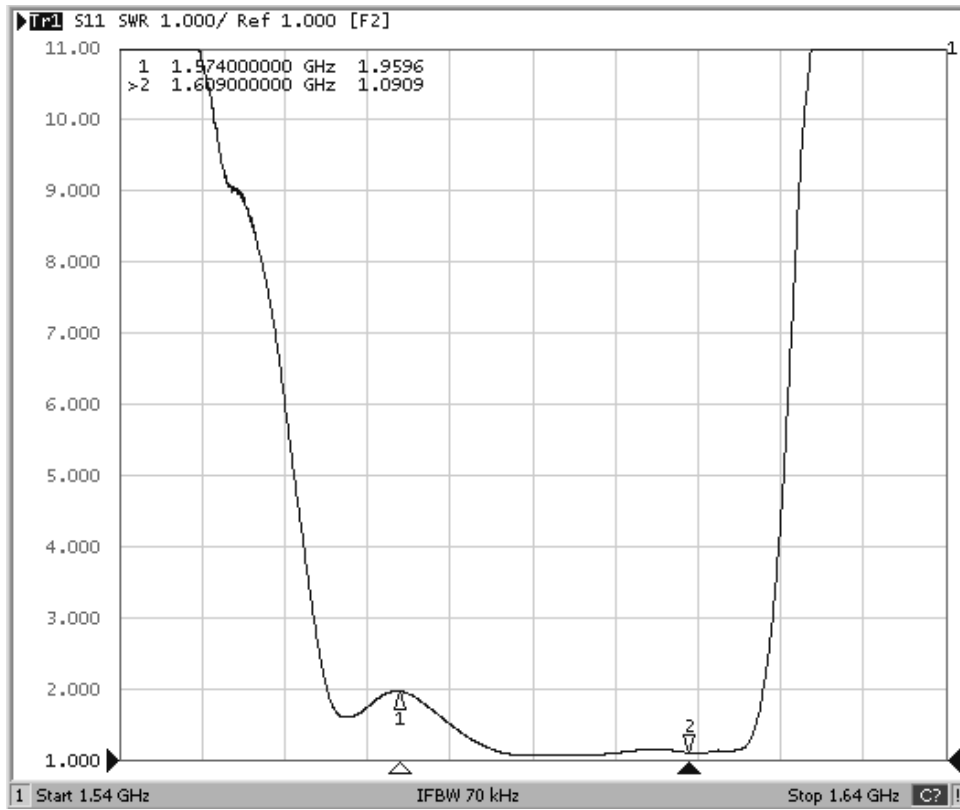
Notes:

1. US and international patents may apply.
2. RFM, stylized RFM logo, and RF Monolithics, Inc. are registered trademarks of RF Monolithics, Inc.

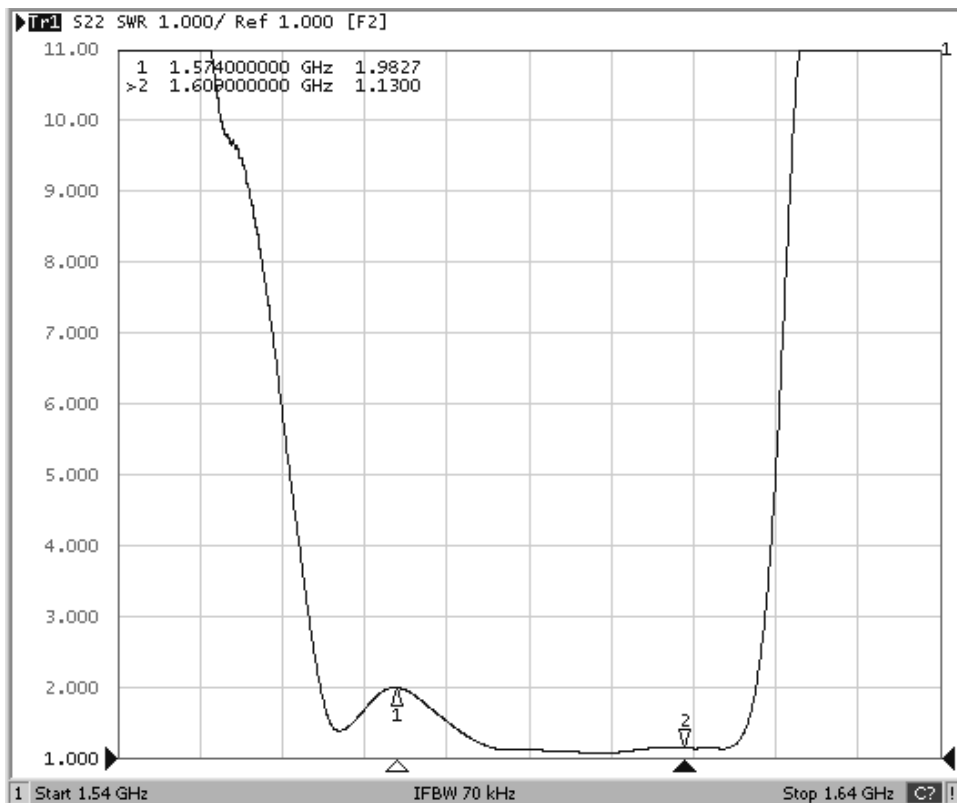
Frequency Response Plots



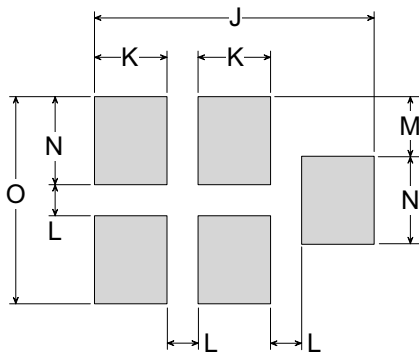
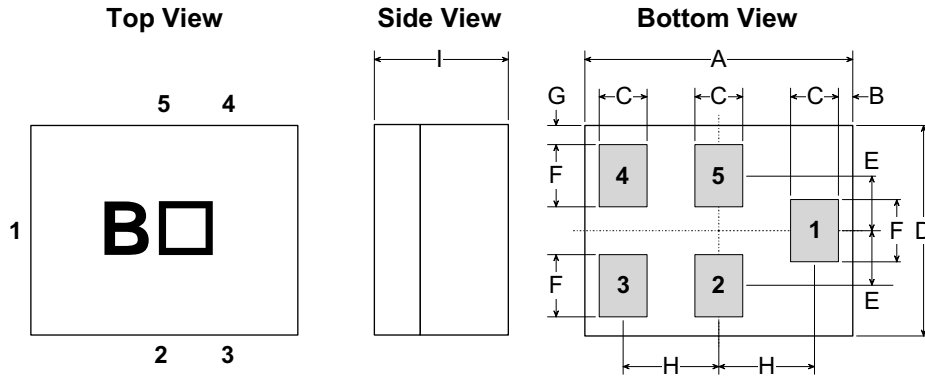
Input VSWR Plot



Output VSWR Plot



SM1411-5 1.4 X 1.1 mm 5-Terminal Surface-mount Case Drawing



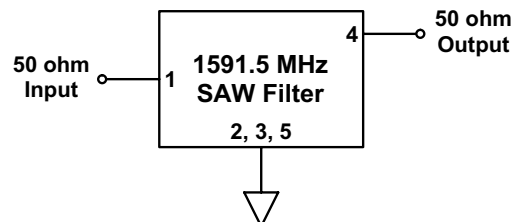
PCB Footprint

Case and PCB Footprint Dimensions

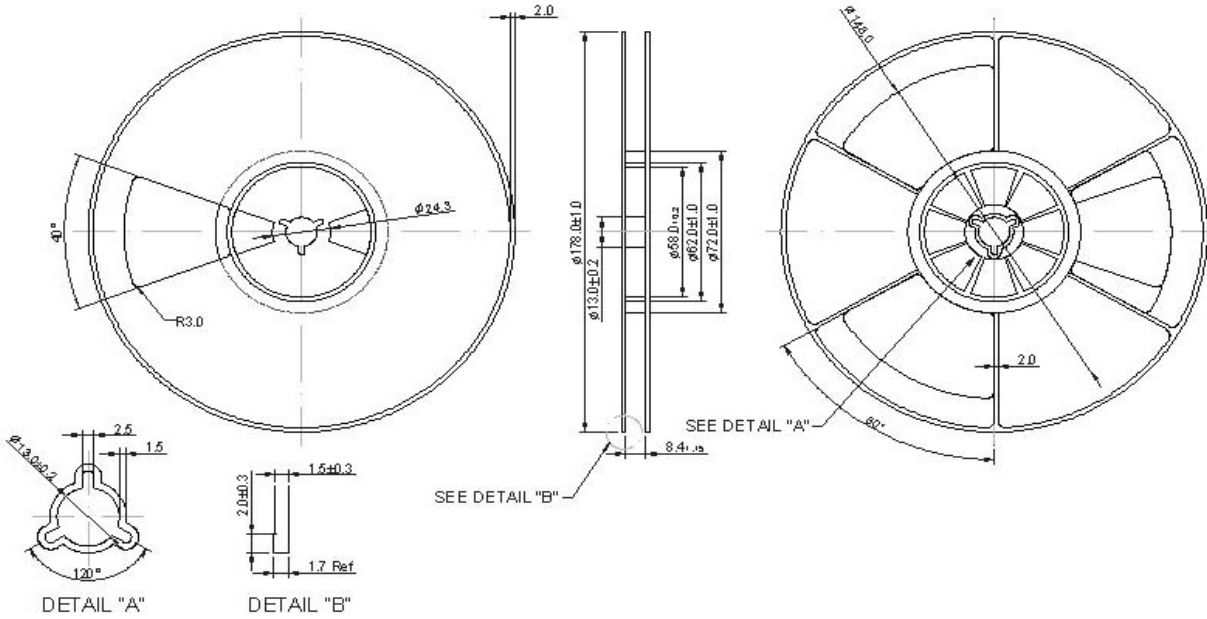
Dimension	mm			Inches		
	Min	Nom	Max	Min	Nom	Max
A	1.3500	1.4000	1.4500	0.0531	0.0551	0.0571
B	-	0.0750	-	-	0.0030	-
C	0.1700	0.250	0.3300	0.0067	0.0098	0.0130
D	1.0500	1.1000	1.1500	0.0413	0.0433	0.0453
E	-	0.2875	-	-	0.0113	-
F	0.2450	0.3250	0.4050	0.0096	0.0128	0.0159
G	-	0.100	-	-	0.0039	-
H	-	0.5000	-	-	0.0197	-
I	0.6000	0.6500	0.700	0.0236	0.0256	0.0276
J	-	1.3500	-	-	0.0531	-
K	-	0.3500	-	-	0.0138	-
L	-	0.1500	-	-	0.0059	-
M	-	0.2875	-	-	0.0113	-
N	-	0.4250	-	-	0.0167	-
O	-	1.0000	-	-	0.0394	-

Materials	
Solder Pad Plating	0.3 to 1.0 μm Gold over 1.27 to 8.89 μm Nickel
Lid Plating	2.0 to 3.0 μm Nickel
Body	Al_2O_3 Ceramic
Pb Free	

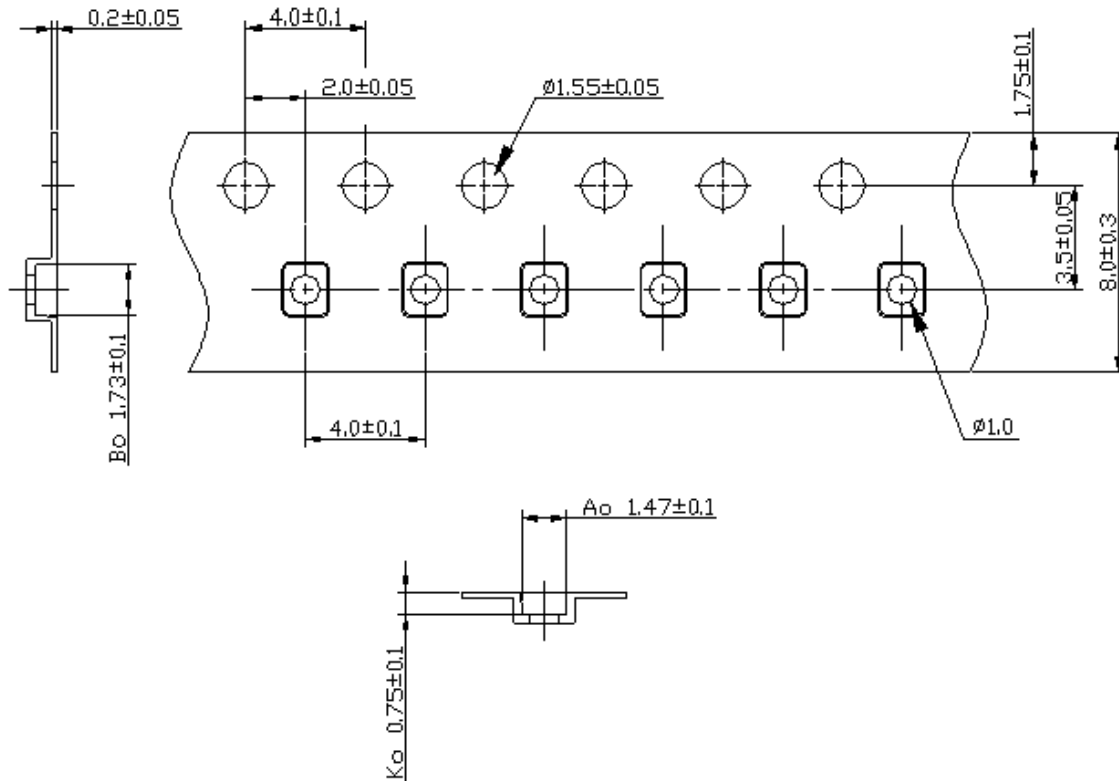
Test Circuit



Reel Dimensions - 7 inch Reel, 3000 Filters



Tape Dimensions



Mouser Electronics

Authorized Distributor

Click to View Pricing, Inventory, Delivery & Lifecycle Information:

[Murata:](#)

[SF2217K](#)