



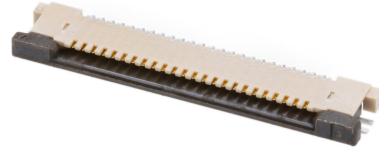
Part Number : [545502472](#)

Product Description : 0.50mm Pitch Easy-On FFC/FPC Connector, 1.20mm Height, Right-Angle, Surface Mount, ZIF, Top Contact Style, 24 Circuits, Gold (Au) Plating

Series Number : 54550

Status : Active

Product Category : FFC / FPC Connectors



Documents & Resources

Drawings

[Drawing 545502472_sd.pdf](#)

3D Models and Design Files

[2D Drawing DXF 545502472.dxf](#)

[2D Drawing DXF \(PDF\) 545502472.pdf](#)

[3D Model 545502472_stp.zip](#)

Specifications

[Packaging Specification SPK-54550-056-001.pdf](#)

[Product Specification 545500000-PS-001.pdf](#)

Product Environment Compliance

Compliance

GADSL/IMDS	Not Relevant
China RoHS	
EU ELV	Not Relevant
Low-Halogen Status	Not Low-Halogen per IEC 61249-2-21
REACH SVHC	Not Contained per D(2023)3788-DC (14 Jun 2023)
EU RoHS	Compliant per EU 2015/863

Multiple Part Product Compliance Statements

- Eu RoHS
- REACH SVHC
- Low-Halogen

Multiple Part Industry Compliance Documents

- IPC 1752A Class C
- IPC 1752A Class D
- Molex Product Compliance Declaration
- IEC-62474
- chemSHERPA (xml)

EU RoHS Certificate of Compliance

Part Details

General

Status	Active
Category	FFC / FPC Connectors
Series	54550
Description	0.50mm Pitch Easy-On FFC/FPC Connector, 1.20mm Height, Right-Angle, Surface Mount, ZIF, Top Contact Style, 24 Circuits, Gold (Au) Plating
Comments	Brown Actuator
Product Family	Easy-On FFC FPC Connectors
Product Name	Easy-On
UPC	196823018008

Electrical

Current - Maximum per Contact	0.5A
Voltage - Maximum	50V

Physical

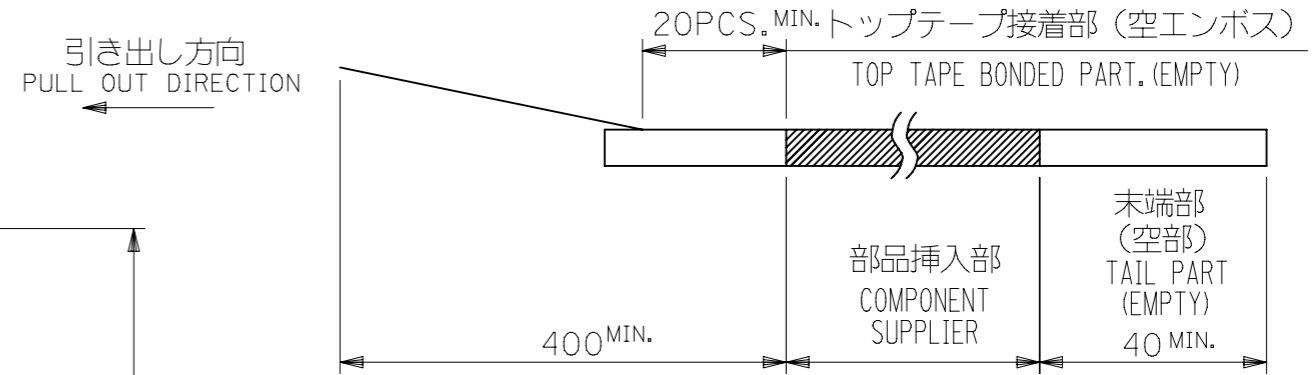
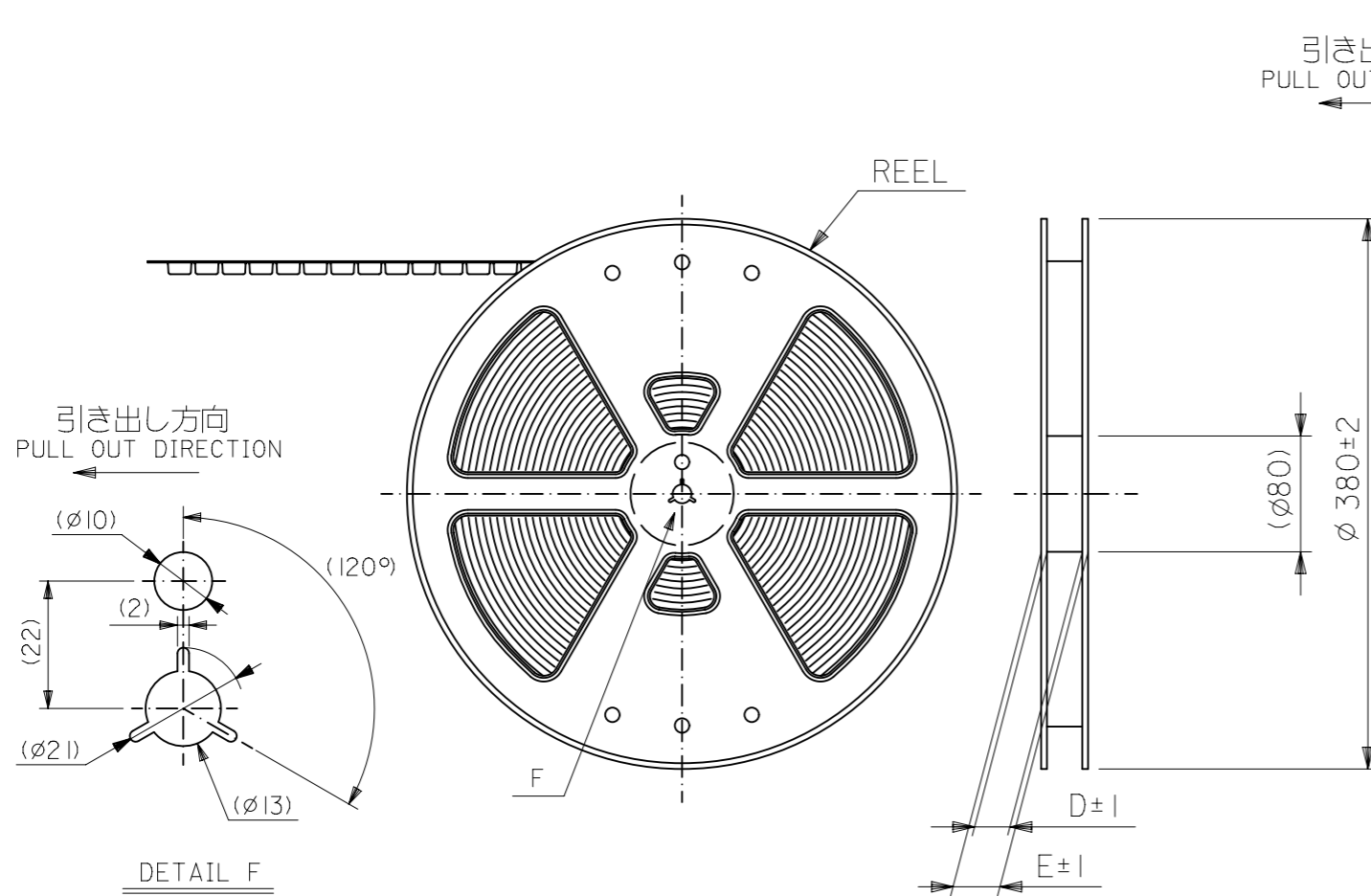
Actuator Type	Slider
Circuits (Loaded)	24
Color - Resin	Natural
Contact Position	Top
Durability (mating cycles max)	20
Mated Height	1.20mm
Material - Metal	Phosphor Bronze
Material - Plating Mating	Gold
Material - Plating Termination	Tin

Material - Resin	Liquid Crystal Polymer
Net Weight	116.257/mg
Orientation	Right Angle
Packaging Type	Embossed Tape on Reel
PCB Locator	No
PCB Mounting	Surface Mount
PCB Retention	Yes
Pitch - Mating Interface	0.50mm
Polarized to PCB	Yes
Stackable	No
Temperature Range - Operating	-40° to +85°C
Wire/Cable Type	FFC/FPC

This document was generated on Feb 02, 2024

NOTES

- 製品詳細寸法については図面 545501000/PSD/001 を参照下さい。
RE DETAILED DIMENSION, SEE 545501000/PSD/001
- 梱包数量：3000個/リール
NUMBER OF CONNECTORS : 3000PCS/REEL
- リードテープ長さ LEAD TAPE LENGTH

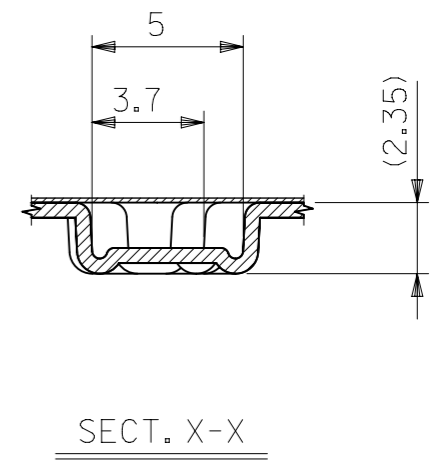
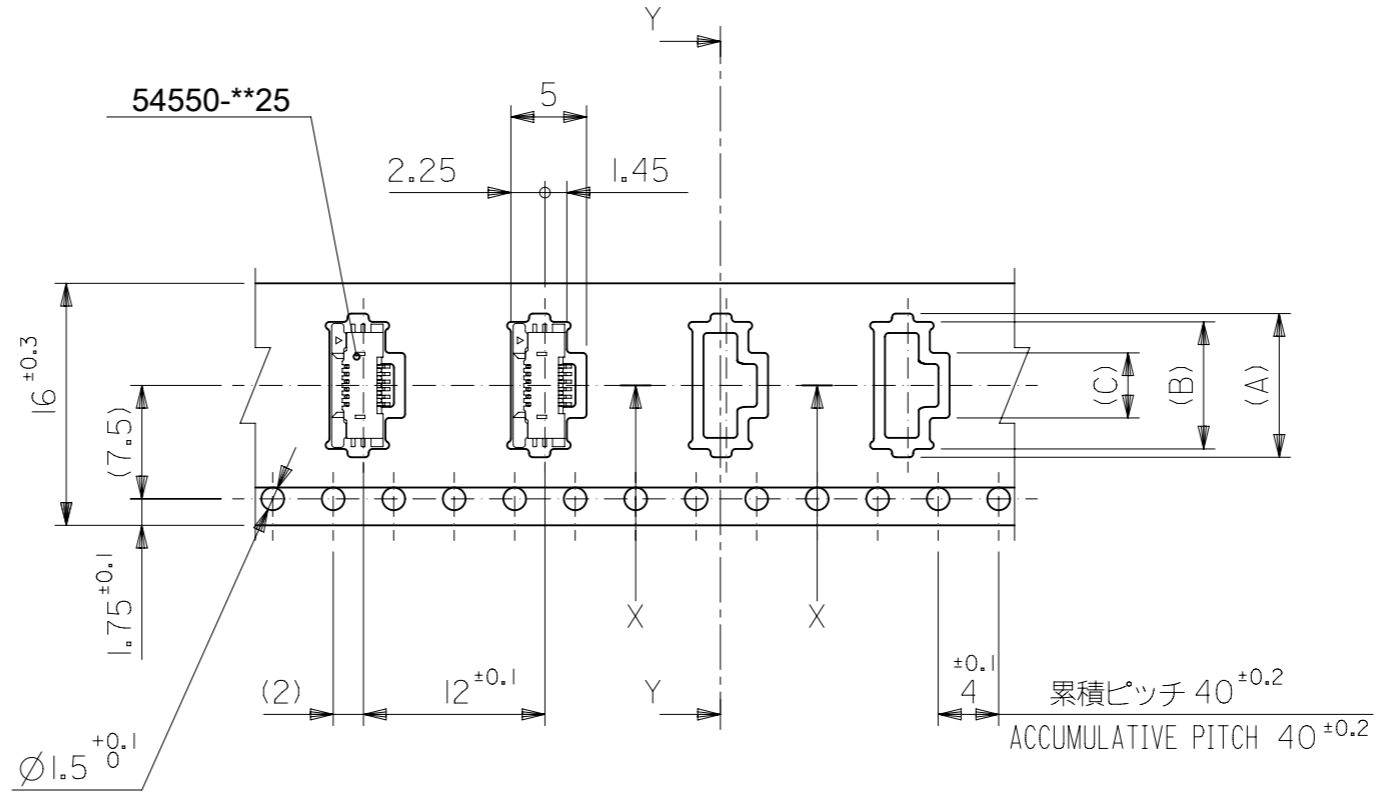
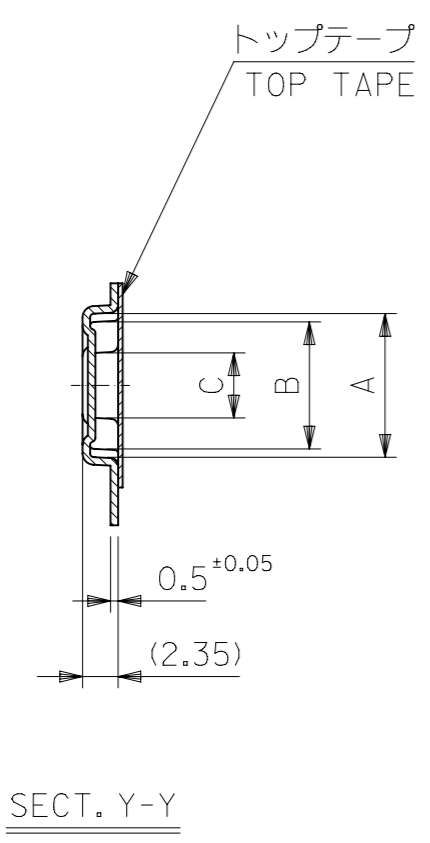


- 材料 (MATERIAL)
キャリアテープ (CARRIER TAPE) : ポリプロピレン (POLYPROPYLENE)
トップテープ (TOPTAPE) : PET, PE, PEF
リール (REEL) : ポリスチレン (PS) <リサイクル材を含む>
POLYSTYRENE (PS) <RECYCLE MATERIAL CONTAINED>
- 本製品は 54550-**9I の鉛フリー品である。
THIS PRODUCT IS LEAD FREE OF 54550-**9I.
- ELV 及び RoHS 適合品 / ELV AND RoHS COMPLIANT.

THIS DRAWING CONTAINS INFORMATION THAT IS PROPRIETARY TO MOLEX ELECTRONIC TECHNOLOGIES, LLC AND SHOULD NOT BE USED WITHOUT WRITTEN PERMISSION		CURRENT REV DESC:		molex	
DIMENSION UNITS	SCALE				
mm	NTS			EMBSTP PKG FOR 0.5 FPC CONN ZIF UPR CONT	
GENERAL TOLERANCES (UNLESS SPECIFIED)				PRODUCT CUSTOMER DRAWING	
ANGULAR TOL ± 3.0°				DOCUMENT NUMBER	
4 PLACES ±		EC NO: 710011		545500000	
3 PLACES ±		DRWN: NARENC 2022/05/30		DOC TYPE	
2 PLACES ±		CHK'D: YNAITO 2022/06/10		PSD	
1 PLACE ±		APPR: SHOSHIKAWA 2022/06/10		DOC PART	
0 PLACES ±		INITIAL REVISION:		001	
		DRWN: NARENC 2022/05/30		REVISION	
		APPR: SHOSHIKAWA 2022/06/10		A	
DRAFT WHERE APPLICABLE MUST REMAIN WITHIN DIMENSIONS		THIRD ANGLE PROJECTION	DRAWING	SERIES	MATERIAL NUMBER
			A3-SIZE	54550	SEE TABLE
				CUSTOMER	GENERAL MARKET
					SHEET NUMBER
					1 OF 3

GENERAL TOLERANCES (UNLESS SPECIFIED)	
10 ^{UNDER}	±0.2
10 ^{OVER} 30 ^{UNDER}	±0.25
30 ^{OVER}	±0.3

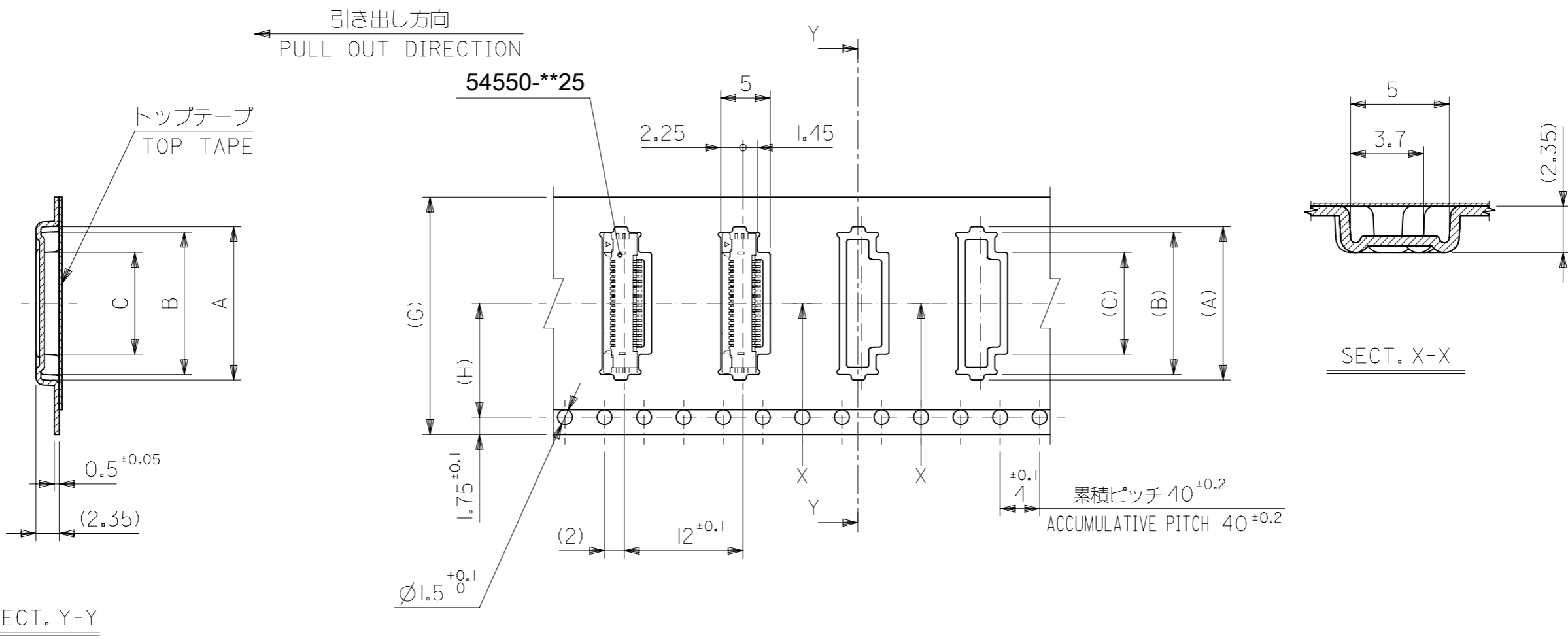
引き出し方向
PULL OUT DIRECTION



16mm幅キャリアテープ
16mm WIDTH CARRIER TAPE

16	21.4	17.4	4.3	8.4	9.5	54550-0672	6
			3.8	7.9	9	54550-0572	5
			3.3	7.4	8.5	54550-0472	4
キャリアテープ幅 CARRIER TAPE WIDTH	E	D	(C)	(B)	(A)	製品番号 MATERIAL No.	極数 CK+

THIS DRAWING CONTAINS INFORMATION THAT IS PROPRIETARY TO MOLEX ELECTRONIC TECHNOLOGIES, LLC AND SHOULD NOT BE USED WITHOUT WRITTEN PERMISSION		CURRENT REV DESC:		molex	
DIMENSION UNITS	SCALE	EC NO: 710011			
mm	NTS	DRWN: NARENC 2022/05/30		EMBSTP PKG FOR 0.5 FPC	
GENERAL TOLERANCES (UNLESS SPECIFIED)		CHK'D: YNAITO 2022/06/10		CONN ZIF UPR CONT	
ANGULAR TOL ± 3.0°		APPR: SHOSHIKAWA 2022/06/10		PRODUCT CUSTOMER DRAWING	
4 PLACES ±		INITIAL REVISION:		DOCUMENT NUMBER	
3 PLACES ±		DRWN: NARENC 2022/05/30		545500000	
2 PLACES ±		APPR: SHOSHIKAWA 2022/06/10		DOC TYPE	
1 PLACE ±		THIRD ANGLE PROJECTION		PSD	
0 PLACES ±		DRAWING		DOC PART	
DRAFT WHERE APPLICABLE MUST REMAIN WITHIN DIMENSIONS		SERIES		REVISION	
30° OVER		A3-SIZE		001	
30° UNDER		54550		A	
10° UNDER		MATERIAL NUMBER		SHEET NUMBER	
±0.2		SEE TABLE		2 OF 3	
±0.25		CUSTOMER			
±0.3		GENERAL MARKET			



24, 32mm幅キャリアテープ
24mm, 32mm WIDTH CARRIER TAPE

32 ^{+0.3}	14.2	37.4	33.4	14.3	18.4	19.5	54550-2672	26
				13.3	17.4	18.5	54550-2472	24
24 ^{+0.3}	11.5	29.4	25.4	11.8	15.9	17	54550-2172	21
				11.3	15.4	16.5	54550-2072	20
				10.3	14.4	15.5	54550-1872	18
				9.3	13.4	14.5	54550-1672	16
				8.3	12.4	13.5	54550-1472	14
				7.3	11.4	12.5	54550-1272	12
				6.3	10.4	11.5	54550-1072	10
				5.8	9.9	11	54550-0972	9
5.3	9.4	10.5	54550-0872	8				
4.8	8.9	10	54550-0772	7				
G キャリアテープ幅 CARRIER TAPE WIDTH	H	E	D	(C)	(B)	(A)	製品番号 MATERIAL No.	極数 Ck+

THIS DRAWING CONTAINS INFORMATION THAT IS PROPRIETARY TO MOLEX ELECTRONIC TECHNOLOGIES, LLC AND SHOULD NOT BE USED WITHOUT WRITTEN PERMISSION

DIMENSION UNITS	SCALE	CURRENT REV DESC:	
mm	NTS		
GENERAL TOLERANCES (UNLESS SPECIFIED)		molex EMBSTP PKG FOR 0.5 FPC CONN ZIF UPR CONT PRODUCT CUSTOMER DRAWING	
ANGULAR TOL ± 3.0°			
4 PLACES ±	EC NO: 710011		
3 PLACES ±	DRWN: NARENC 2022/05/30		
2 PLACES ±	CHK'D: YNAITO 2022/06/10		
1 PLACE ±	APPR: SHOSHIKAWA 2022/06/10	DOCUMENT NUMBER	
0 PLACES ±	INITIAL REVISION:	545500000	
DRAFT WHERE APPLICABLE MUST REMAIN WITHIN DIMENSIONS		DRWN: NARENC 2022/05/30	DOC TYPE DOC PART REVISION
THIRD ANGLE PROJECTION		APPR: SHOSHIKAWA 2022/06/10	PSD 001 A
DRAWING		SERIES	MATERIAL NUMBER
A3-SIZE		54550	SEE TABLE
SHEET NUMBER		GENERAL MARKET	
3 OF 3			

GENERAL TOLERANCES (UNLESS SPECIFIED)	
10 ^{UNDER}	±0.2
10 ^{OVER} 30 ^{UNDER}	±0.25
30 ^{OVER}	±0.3

10

9

8

7

6

5

4

3

2

1

F

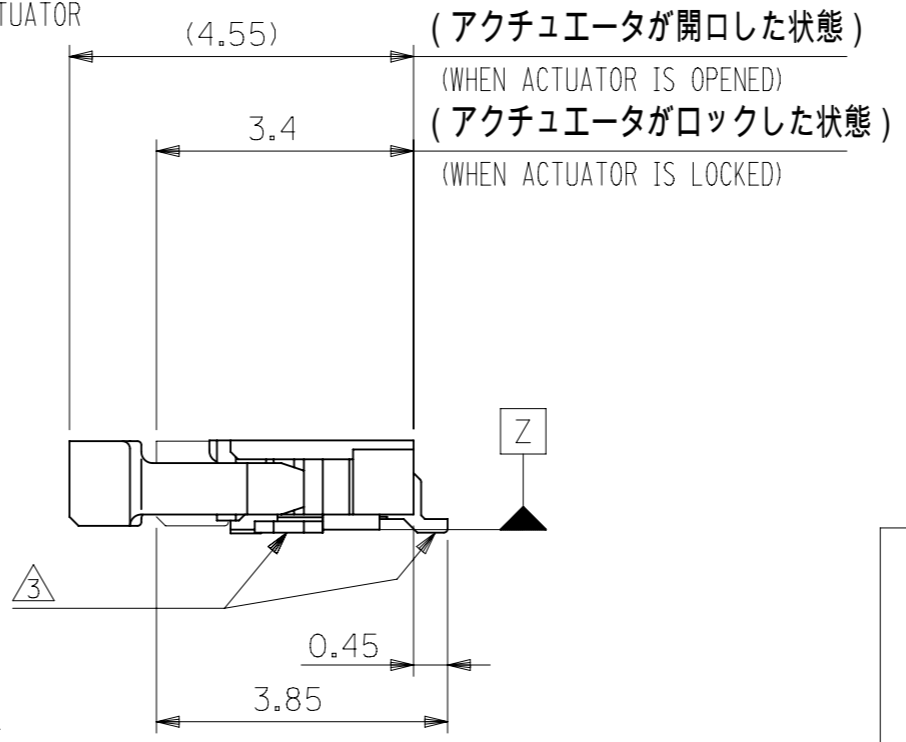
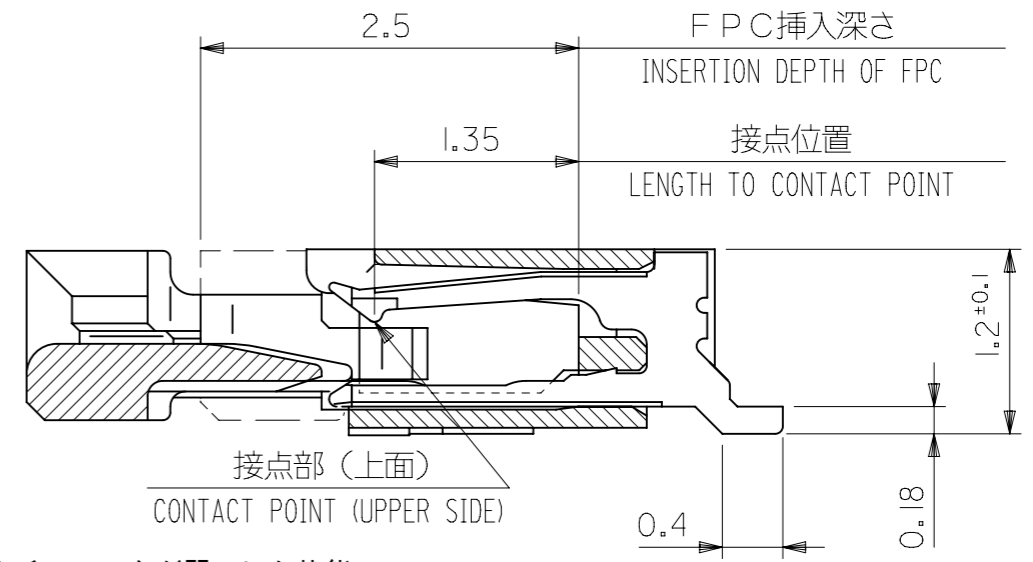
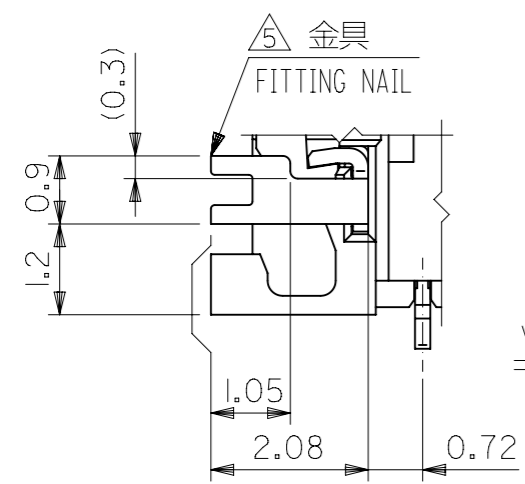
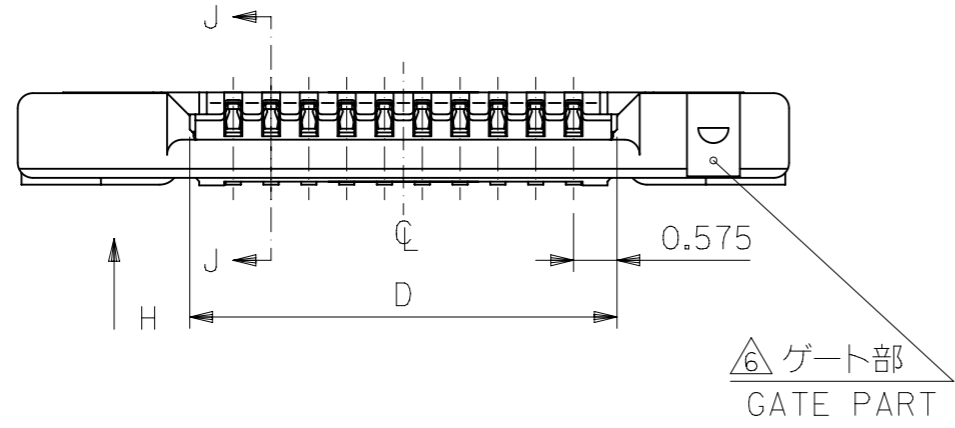
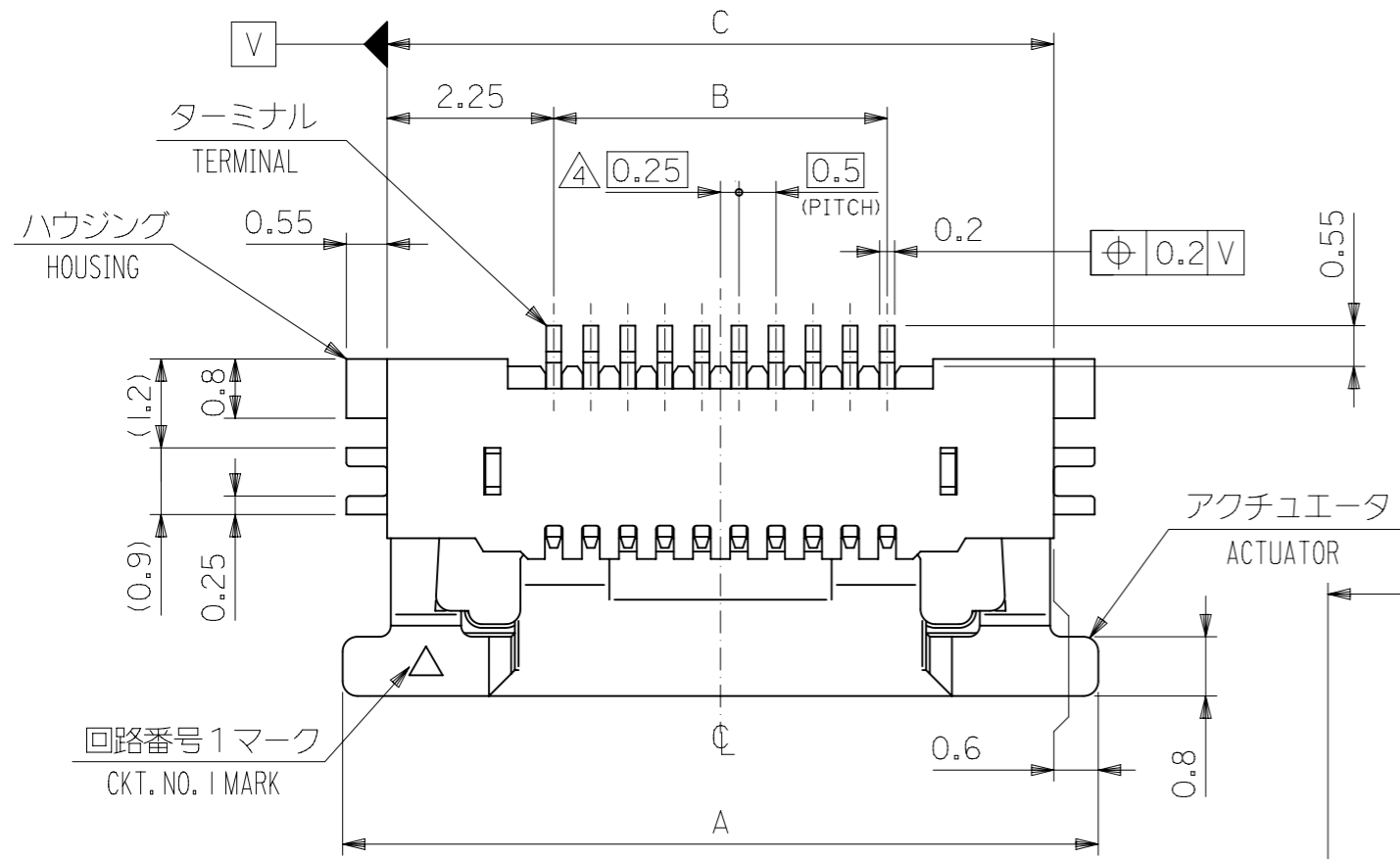
E

D

C

B

A



0.3 ± 0.03	13.65	17	12.5	18.2	54550-2672	26
	12.65	16	11.5	17.2	54550-2472	24
	11.15	14.5	10	15.7	54550-2172	21
	10.65	14	9.5	15.2	54550-2072	20
	9.65	13	8.5	14.2	54550-1872	18
	8.65	12	7.5	13.2	54550-1672	16
	7.65	11	6.5	12.2	54550-1472	14
	6.65	10	5.5	11.2	54550-1272	12
	5.65	9	4.5	10.2	54550-1072	10
	5.15	8.5	4	9.7	54550-0972	9
	4.65	8	3.5	9.2	54550-0872	8
	4.15	7.5	3	8.7	54550-0772	7
	3.65	7	2.5	8.2	54550-0672	6
3.15	6.5	2	7.7	54550-0572	5	
2.65	6	1.5	7.2	54550-0472	4	
THICKNESS OF FPC	D	C	B	A	EMBOSSED TAPE	極数
					ORDER No. オーダー番号	Ckt

CONNECTOR SERIES NO. 54550-**25

THIS DRAWING CONTAINS INFORMATION THAT IS PROPRIETARY TO MOLEX ELECTRONIC TECHNOLOGIES, LLC AND SHOULD NOT BE USED WITHOUT WRITTEN PERMISSION

DIMENSION UNITS: mm SCALE: 10:1

GENERAL TOLERANCES (UNLESS SPECIFIED):
ANGULAR TOL ± 3.0°

CURRENT REV DESC:

EC NO: 710011
DRWN: NARENC 2022/05/30
CHK'D: YNAITO 2022/06/10
APPR: SHOSHIKAWA 2022/06/10

INITIAL REVISION:
DRWN: NARENC 2022/05/30
APPR: SHOSHIKAWA 2022/06/10

THIRD ANGLE PROJECTION

DRAWING: A3-SIZE SERIES: 54550

MATERIAL NUMBER: SEE TABLE CUSTOMER: GENERAL MARKET SHEET NUMBER: 1 OF 2

PRODUCT CUSTOMER DRAWING

DOCUMENT NUMBER: 545501000 DOC TYPE: PSD DOC PART: 001 REVISION: A

molex

0.5 FPC CONN. HSG ASSY FOR SMT RA U/CONTACT

GENERAL TOLERANCES (UNLESS SPECIFIED)

10 ^{UNDER}	±0.2
10 ^{OVER} 30 ^{UNDER}	±0.25
30 ^{OVER}	±0.3

9

8

7

6

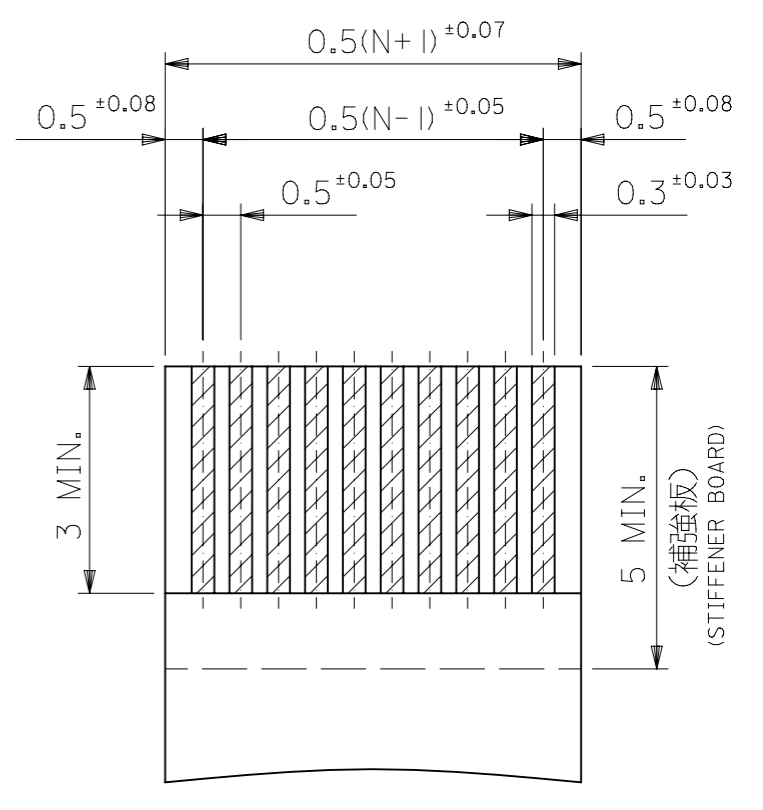
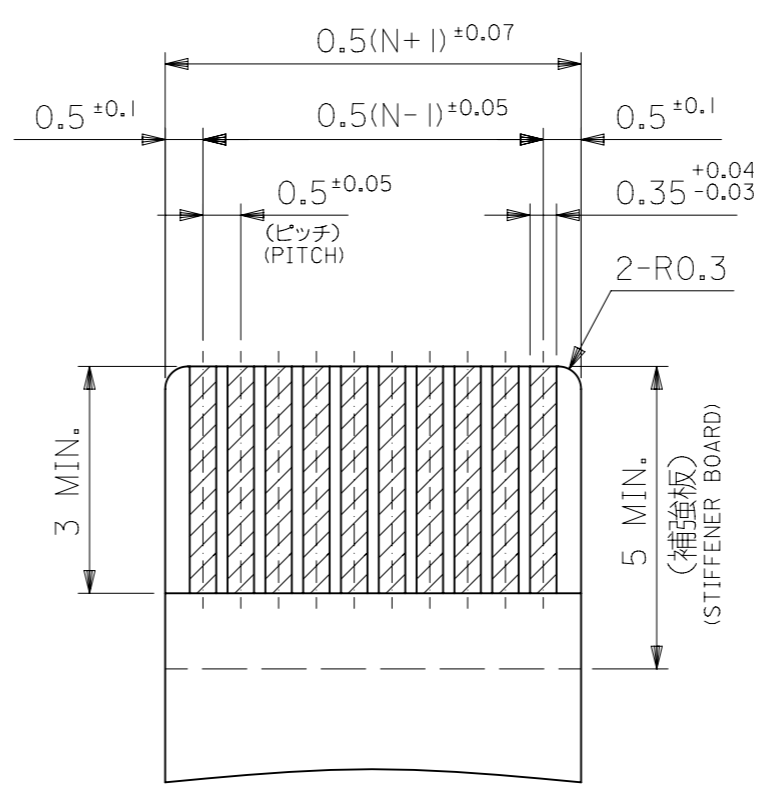
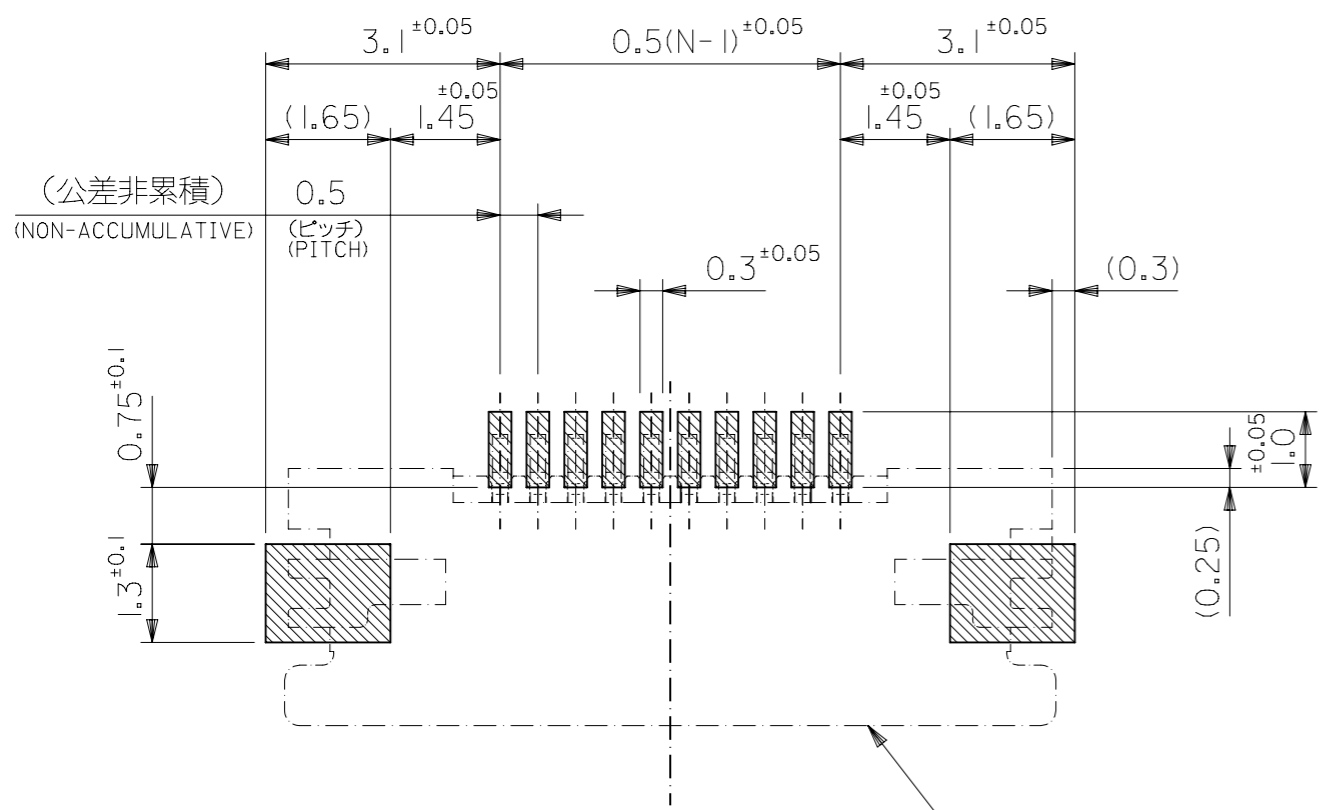
5

4

3

2

1



参考基板レイアウト
RECOMMENDED P.C.BOARD
PATTERN DIMENSION (REF.)
(マウント面)
(MOUNTING SIDE)

適合FPC推奨寸法
APPLICABLE FPC
RECOMMENDED DIMENSION
(仕上がり厚さ:表参照)
(THICKNESS:SEE CHART)

適合FFC推奨寸法
APPLICABLE FFC
RECOMMENDED DIMENSION
(仕上がり厚さ:表参照)
(THICKNESS:SEE CHART)

注記 NOTES

1. 使用材料 MATERIAL
 ハウジング : LCP, UL94V-0
 アクチュエータ : PPS, UL94V-0
 ターミナル : リン青銅
 メッキ : 接点部:金メッキ
 金具 : リン青銅, ニッケル下地 錫メッキ
2. インボステープ梱包時は、アクチュエータがロックした状態とする。
 IN THE PACKAGE,ACTUATOR OF PART NO.54550-**25 SHOULD BE LOCKED.
3. ソルダータール半田付け面のズレ量、及び金具半田付け面のズレ量は、基準面 Z に対し上方向 0MAX.、下方向 0.15MAX.とし
 相互のパラッキ量は0.1MAX.とする。
 MISALIGNMENT OF SOLDER TAILS AND FITTING NAILS FROM UPPER DIRECTION:0 MAX. , LOWER DIRECTION:0.15 MAX. OFFSET BETWEEN UPPER AND LOWER 0.1 MAX.
4. 偶数極に適用。
 APPLY FOR EVEN CIRCUIT.
5. パターンはくり止め用金具
 FITTING NAIL FOR PREVENTION OF PEELING OF P.C.B. PATTERN.
6. ゲート部は、左右どちらか一方にあるものとする。
 A GATE PART -- RIGHT AND LEFT -- IT SHALL BE IN EITHER.
7. 本製品は 54550-**27 の鉛フリー品である。
 THIS PRODUCT IS LEAD FREE OF 54550-**27.
8. N: 極数 N: CIRCUIT.
9. ELV 及び RoHS 適合品 / ELV AND RoHS COMPLIANT.

FPC/FFC について:

打ち抜き方向は導体側から補強板側を推奨します。
 導体部については軟銅箔35μmまたは50μmを推奨します。

ABOUT FPC/FFC

RECOMMENDED PUNCHER DIRECTION : FROM CONDUCTOR SIDE TO STIFFENER FILM SIDE.
 RECOMMENDED CONDUCTOR SPEC : THICKNESS OF SOFT COPPER FOIL : 35 MICROMETER OR 50 MICROMETER.

FPC について:

補強フィルム材質はポリイミドを推奨します。ベースフィルムは25μmを推奨します。
 接着剤は熱硬化接着剤を推奨します。
 尚、接着剤の接点部への付着は導通不良の原因になりますので、染み出しが無い様、お願い致します。

ABOUT FPC

RECOMMENDED MATERIAL/THICKNESS.
 STIFFENER FILM : POLYIMIDE
 BASE FILM THICKNESS : 25μm
 BONDING AGENT : THERMOSETTING BONDING AGENT
 PLEASE PUT APPROPRIATE AMOUNT OF ADHESIVE ON THE CONTACT AREA BECAUSE THE EXTRA ADHESIVE MAY CAUSE THE DEFECT IN ELECTRICAL CONTINUITY.

補強板 : ポリイミド

STIFFNER BOARD: POLYIMIDE

熱硬化接着剤

THERMOSETTING ADHESIVE

ベースフィルム : ポリイミド (25μm)

BASE FILM: POLYIMIDE (25μm)

熱硬化接着剤

THERMOSETTING ADHESIVE

導体部 : 銅箔 (35μm)

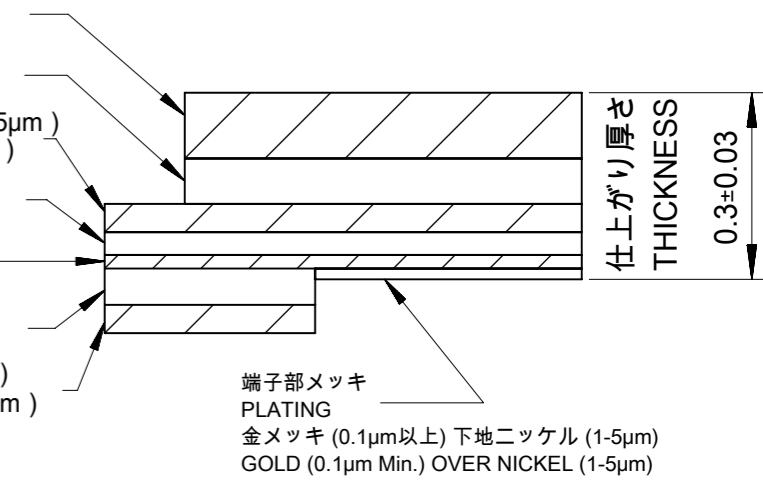
COPPER FOIL (35μm)

熱硬化接着剤

THERMOSETTING ADHESIVE

カバーレイ : ポリイミド (25μm)

COVER FILM: POLYIMIDE (25μm)



FPC構成推奨仕様
STRUCTURE OF FPC

THIS DRAWING CONTAINS INFORMATION THAT IS PROPRIETARY TO MOLEX ELECTRONIC TECHNOLOGIES, LLC AND SHOULD NOT BE USED WITHOUT WRITTEN PERMISSION		CURRENT REV DESC:		molex	
DIMENSION UNITS	SCALE	EC NO: 710011			
mm	1:1	DRWN: NARENC 2022/05/30		0.5 FPC CONN. HSG ASSY FOR SMT RA U/CONTACT	
GENERAL TOLERANCES (UNLESS SPECIFIED)		CHK'D: YNAITO 2022/06/10		PRODUCT CUSTOMER DRAWING	
ANGULAR TOL ± 3.0°		APPR: SHOSHIKAWA 2022/06/10		DOCUMENT NUMBER	
4 PLACES ±		INITIAL REVISION:		545501000	
3 PLACES ±		DRWN: NARENC 2022/05/30		DOC TYPE	
2 PLACES ±		APPR: SHOSHIKAWA 2022/06/10		PSD	
1 PLACE ±		SERIES		001	
0 PLACES ±		54550		A	
DRAFT WHERE APPLICABLE MUST REMAIN WITHIN DIMENSIONS		THIRD ANGLE PROJECTION		MATERIAL NUMBER	
		DRAWING		CUSTOMER	
		A3-SIZE		GENERAL MARKET	
		SHEET NUMBER		2 OF 2	

GENERAL TOLERANCES (UNLESS SPECIFIED)	
10 ^{UNDER}	±0.2
10 ^{OVER} 30 ^{UNDER}	±0.25
30 ^{OVER}	±0.3