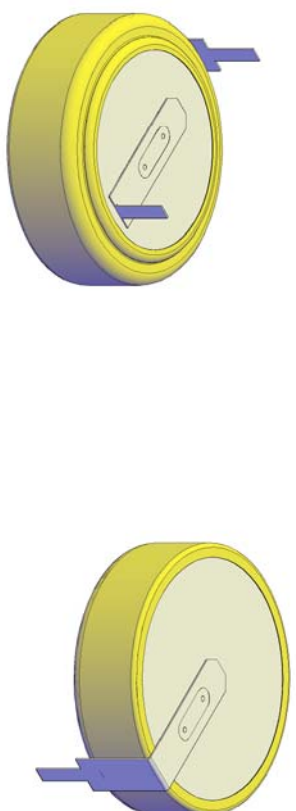
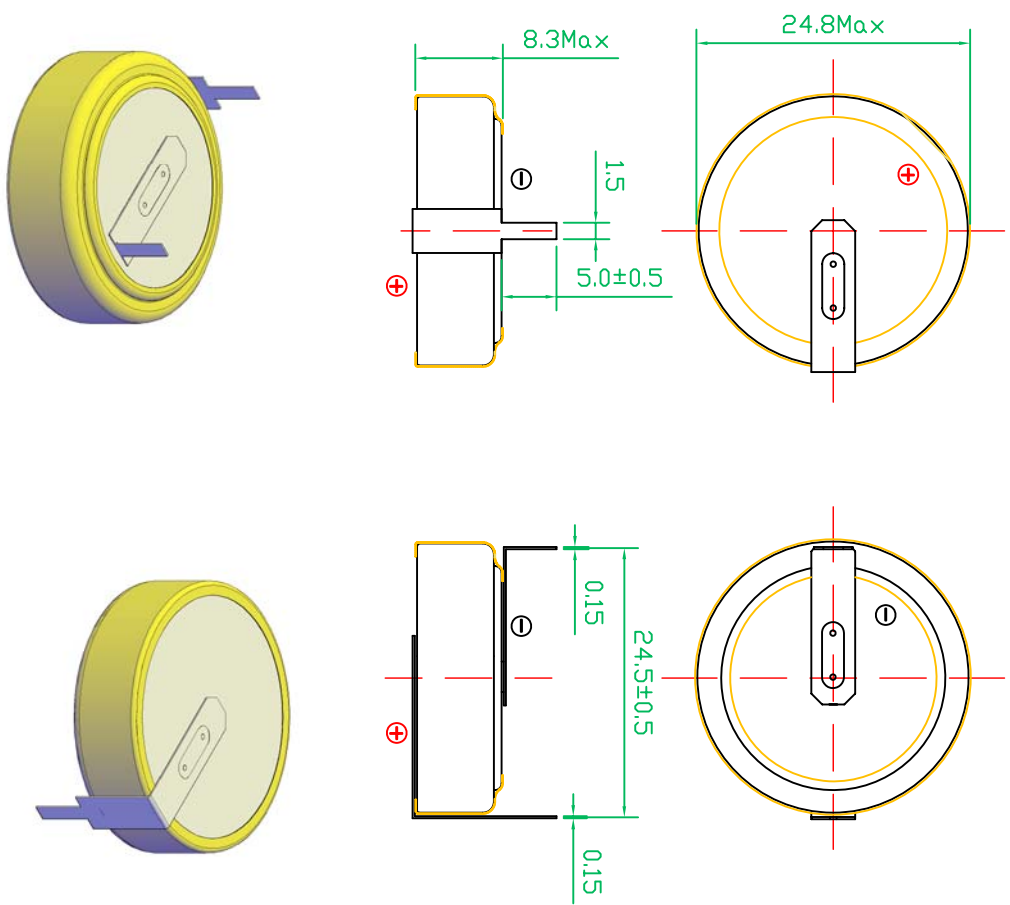
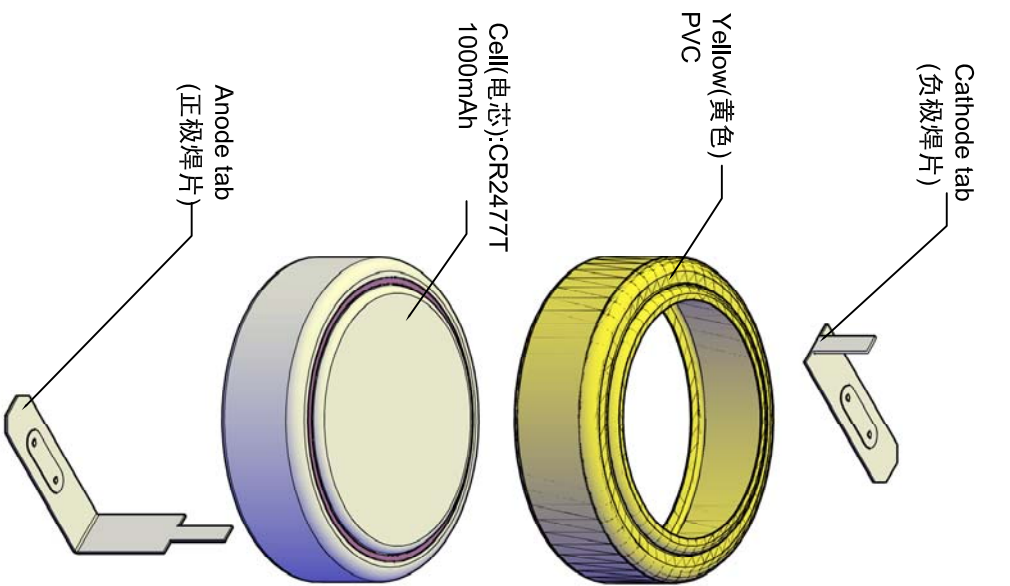

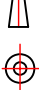


(Scale: 1.8 : 1)



4	ROHS Compliant / 严格按照ROHS要求生产	 EEMB BATTERY		Drawn:	Moyongdi	Revise No.:	E4+2009	
3	Cathode tab / 负极焊片			Stainless steel plated with nickel / 不锈钢镀镍	Checked 1:	Jane	Projection:	
2	Anode tab / 正极焊片			Stainless steel plated with nickel / 不锈钢镀镍	Checked 2:	Jenny	Page:	1/1
1	Cell / 电芯	Button, Yellow PVC, with date code 扣式, 包黄色PVC, 电芯表面喷码		Approved:		Scale:	1.5: 1	
NO.	Parts	Description		File NO.	A01286	Draw Date:	2010/05/05	
	1	2	3	4	5	6		