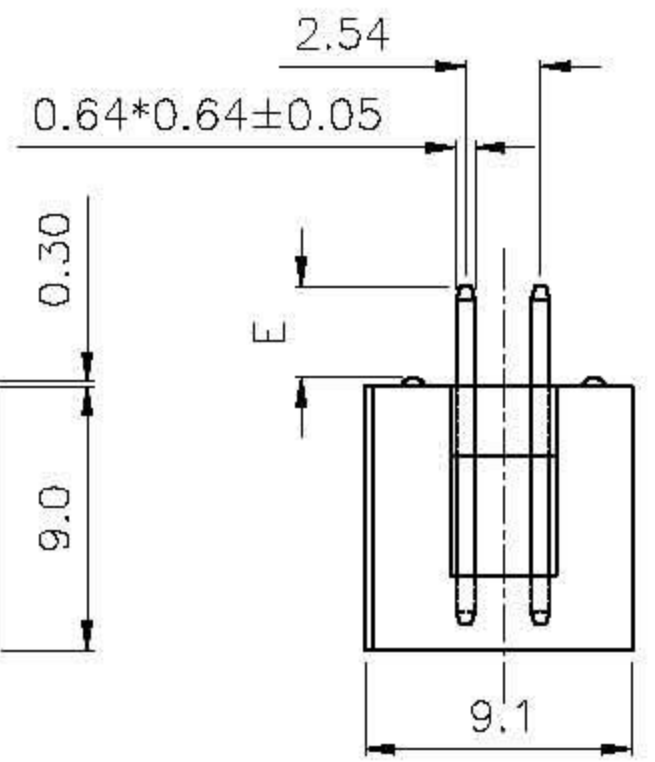
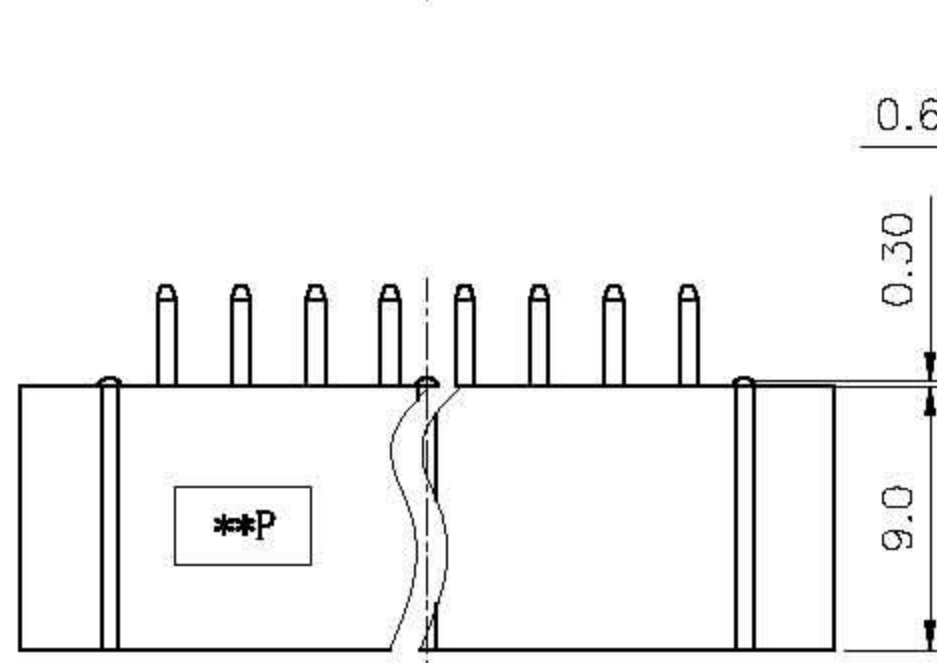
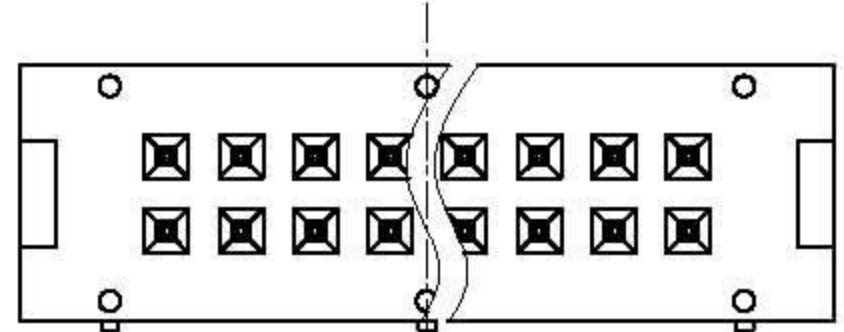
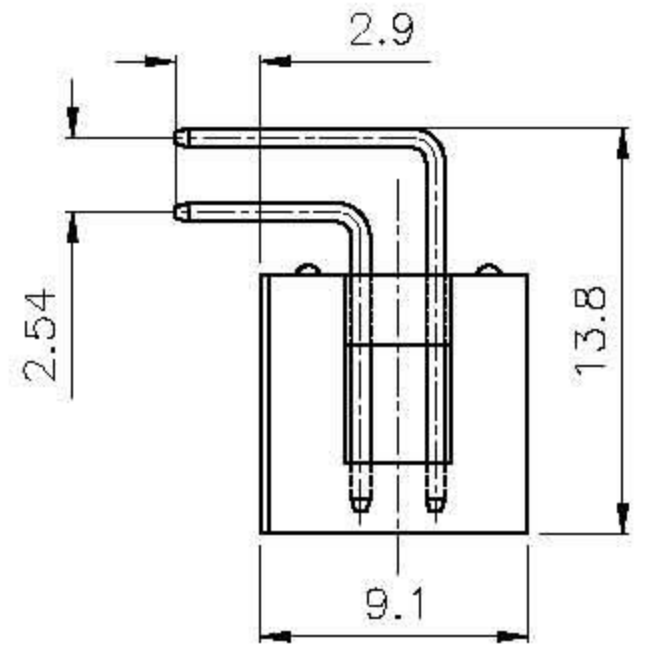


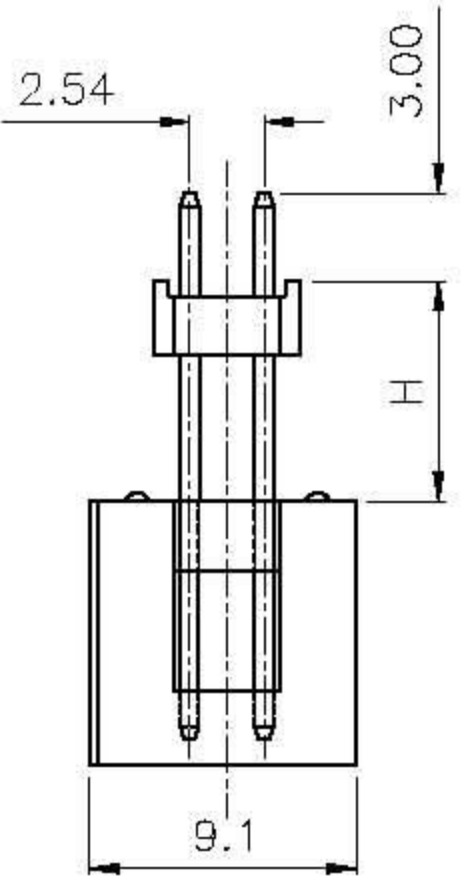
REV.	DESCRIPTION	DRAWN	CHECKED	APPROVED
A	NEW RELEASE	LJH 09/20/05'	~	LJC 09/20/05'
B	料号中增加尺寸DIM. H, E选项	YCH 07/18/08'	~	



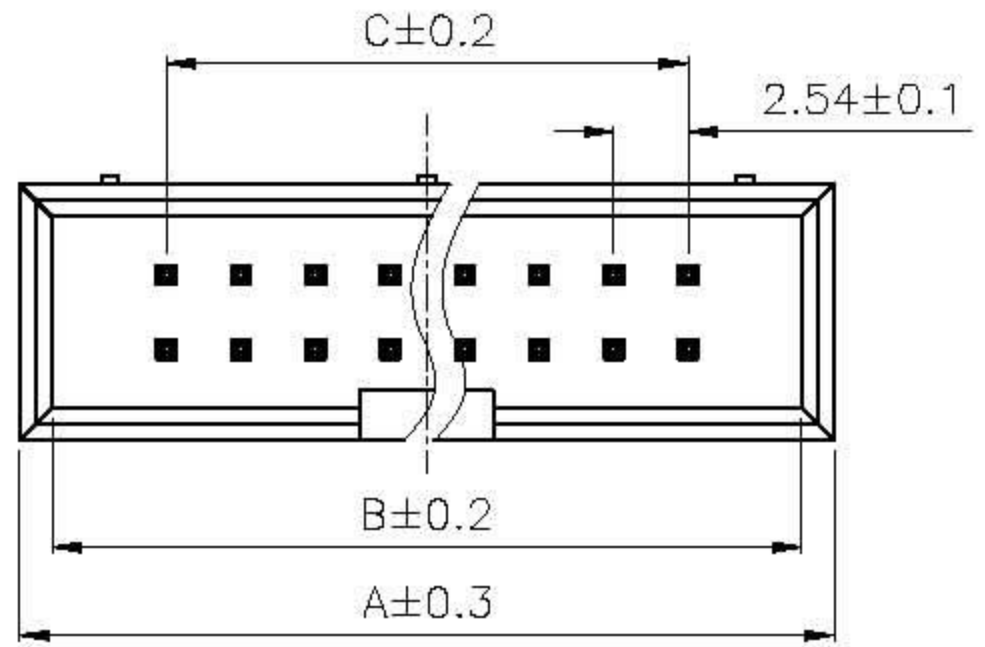
V/T TYPE



R/A TYPE



Elevator TYPE



Dimension

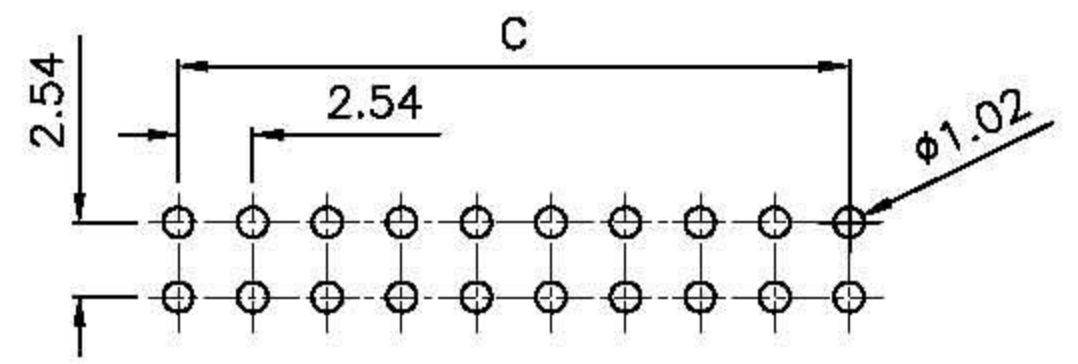
Position	A	B	C				
10	20.30	18.10	10.16	30	45.70	43.50	35.56
12	22.84	20.64	12.70	34	50.78	48.58	40.64
14	25.38	23.18	15.24	40	58.40	56.20	48.26
16	27.92	25.72	17.78	50	71.10	68.90	60.96
20	33.00	30.80	22.86	60	83.80	81.60	73.66
26	40.62	38.42	30.48	64	88.88	86.68	78.74

NOTES:

- ELECTRICAL CHARACTERISTICS:
  - CONTACT RESISTANCE: 20mΩ Max. INITIAL.
  - DIELECTRIC WITHSTANDING VOLTAGE: 500V AC(rms) FOR 1 MINUTE.
  - INSULATION RESISTANCE: 1000MΩ Min.
- ENVIRONMENT CHARACTERISTICS:
  - TEMPERATURE RANGE: -45°C~+105°C.
- PART NUMBER: DS1013
- PRODUCT NUMBER CODE:
 

DS1013- X X X X X X

  - DIM. H TYPE (FOR ELEVATOR ONLY)
    - 1: 7.50
    - 2: 9.50
  - DIM. E TYPE (FOR V/T ONLY)
    - 1: 3.10
    - 2: 8.00
  - HOUSING COLOR
    - B: BLACK
    - W: WHITE
    - U: BLUE
    - A: GRAY
  - CONTACT PLATING
    - Si: FULL GOLD FLASH
  - MOUNTING TYPE
    - S: V/T TYPE
    - R: R/A TYPE
    - E: Elevator TYPE
  - No.OF CONTACTS
    - 08 10 14 16
    - 20 26 30 34
    - 40 50 60 64



RECOMMEND PCB LAYOUT(TOLERANCE=±0.05)

GENERAL TOLERANCE	ANGLE TOLERANCE	PROJECTION	⊕	TITLE	BOX HEADER PITCH 2.54mm	
X. ±0.60	X. ±5°	UNITS	mm	SHEET SIZE	A4	
.X ±0.38	.X ±3°			SERIES	DS1013 SERIES	
.XX ±0.25	.XX ±2°					
DRAWING TYPE	CUSTOMER					
SCALE	1:1	SHEET	1 OF 1			
DRAWING NO.	C-DS1013-XXXX-B					

REV.	DESCRIPTION	DRAWN	CHECKED	APPROVED
A	NEW RELEASE	LJH 09/20/05'		

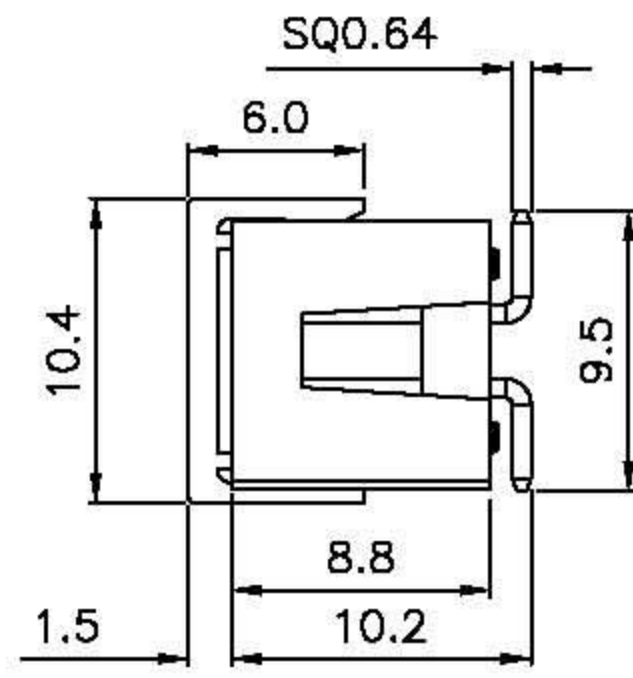
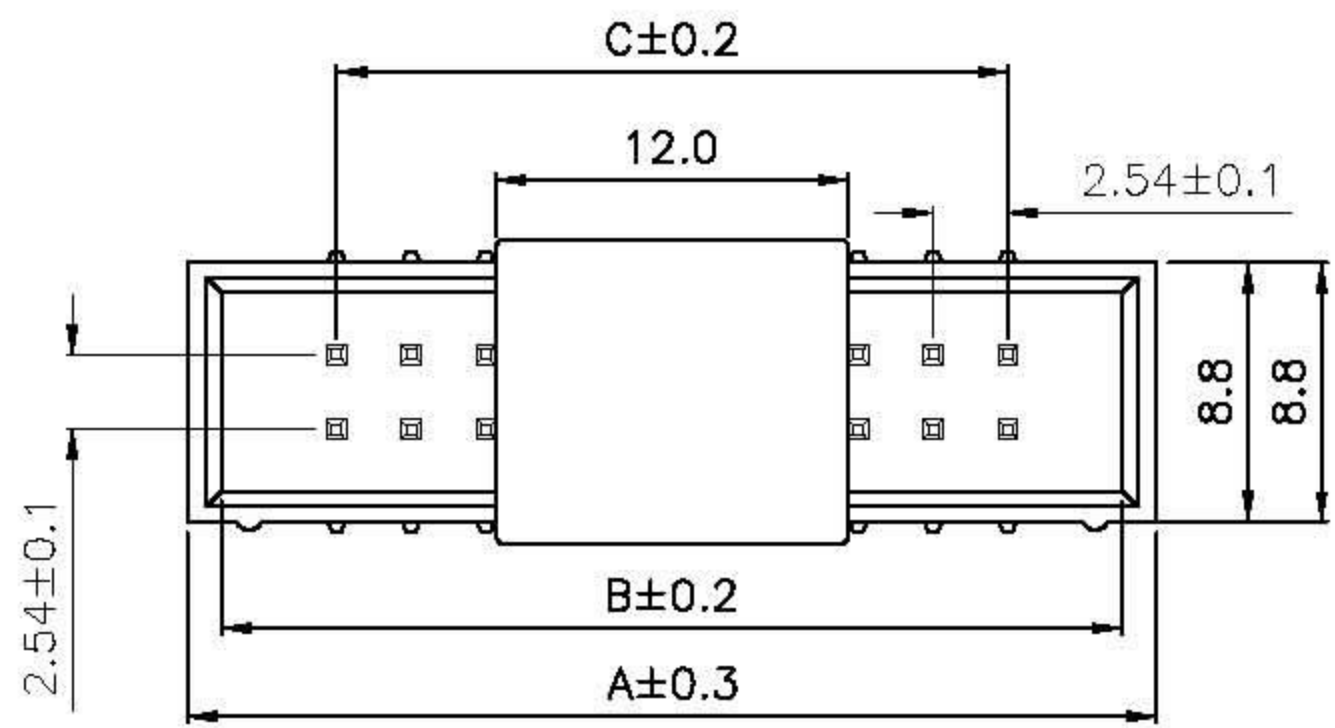
NOTES:

- ELECTRICAL CHARACTERISTICS:
  - CONTACT RESISTANCE: 20mΩ Max. INITIAL.
  - DIELECTRIC WITHSTANDING VOLTAGE: 500V AC(rms) FOR 1 MINUTE.
  - INSULATION RESISTANCE: 1000MΩ Min.
- ENVIRONMENT CHARACTERISTICS:
  - OPERATING TEMPERATURE: 0°C~+85°C.
  - STORAGE TEMPERATURE: -20°C~+70°C.

- PART NUMBER: DS1013
- PRODUCT NUMBER CODE:

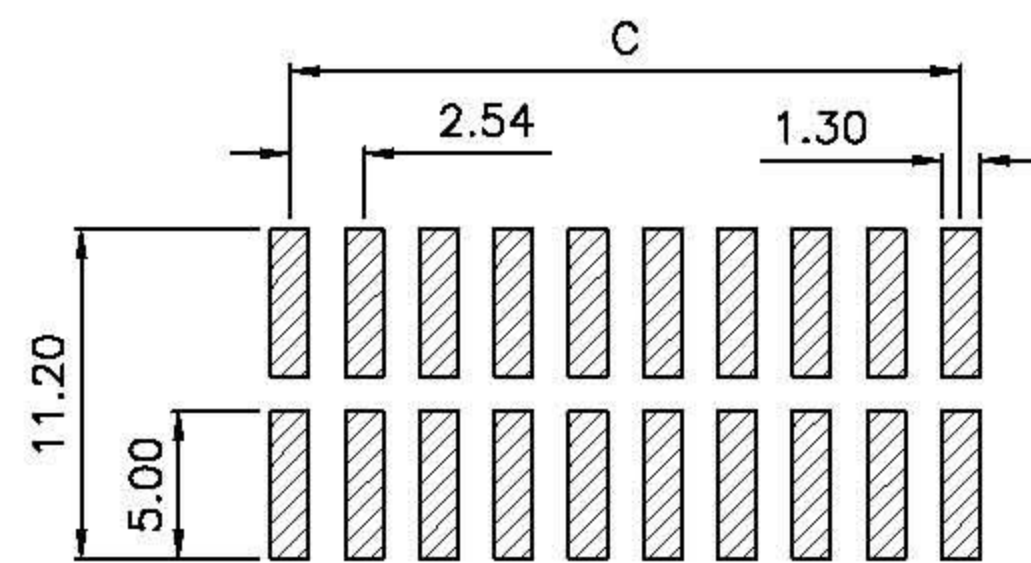
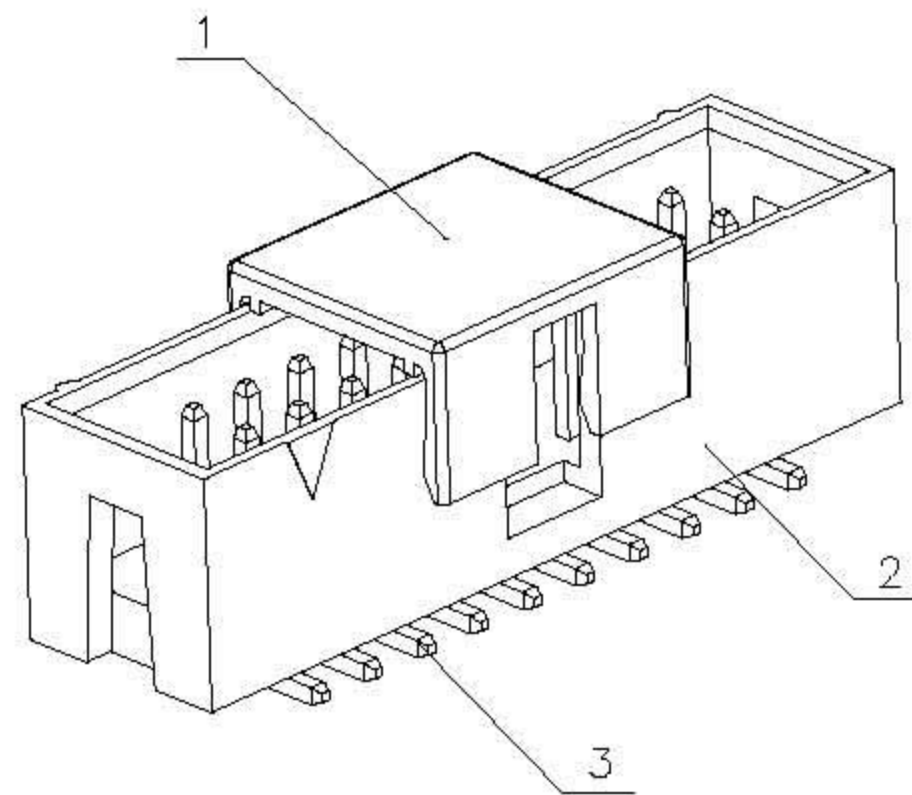
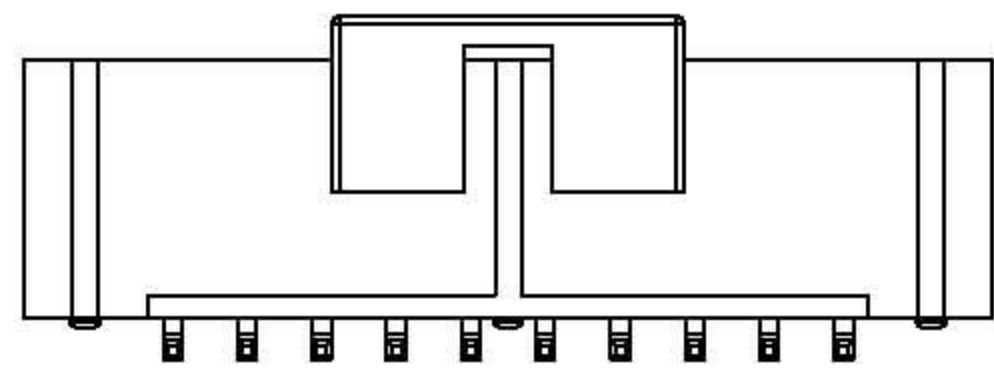
DS1013- X X X X X

- PACKING TYPE  
A: TUBE  
R: TAPE ON REEL  
T: TRAY
- PICK UP SUPPORT  
S: W/ PICK UP  
X: W/O PICK UP
- CONTACT PLATING  
Si: FULL GOLD FLASH
- MOUNTING TYPE  
M: SMT TYPE
- No. OF CONTACTS  
08 10 14 16  
20 26 30 34  
40 50 60 64
- SERIES No.  
DS1013



Dimension

Position	A	B	C
10	20.30	18.10	10.16
12	22.84	20.64	12.70
14	25.38	23.18	15.24
16	27.92	25.72	17.78
20	33.00	30.80	22.86
26	40.62	38.42	30.48
30	45.70	43.50	35.56
34	50.78	48.58	40.64
40	58.40	56.20	48.26
50	71.10	68.90	60.96
60	83.80	81.60	73.66
64	88.88	86.68	78.74



RECOMMEND PCB LAYOUT  
TOLERANCE=±0.05

GENERAL TOLERANCE	ANGLE TOLERANCE	PROJECTION	⊕	TITLE	BOX HEADER PITCH 2.54mm
X. ±0.60	X. ±5°	UNITS	mm		SMT TYPE
.X ±0.38	.X ±3°	SHEET SIZE	A4	SERIES	DS1013 SERIES
.XX ±0.25	.XX ±2°				

3	CONTACT		COPPER ALLOY	GOLD FLASH
2	HOUSING		NYLON-46	GLASS FILLED, UL 94 V-0
1	PICK UP		NYLON-66	UL 94 V-2
ITEM	PART NAME	PART NO.	MATERILAS	FINISHED

DRAWING TYPE	CUSTOMER
SCALE	1:1 SHEET 1 OF 1
DRAWING NO.	C-DS1013-XXMXXXX

