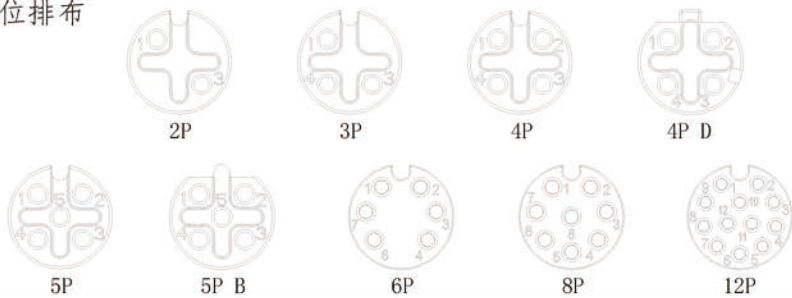
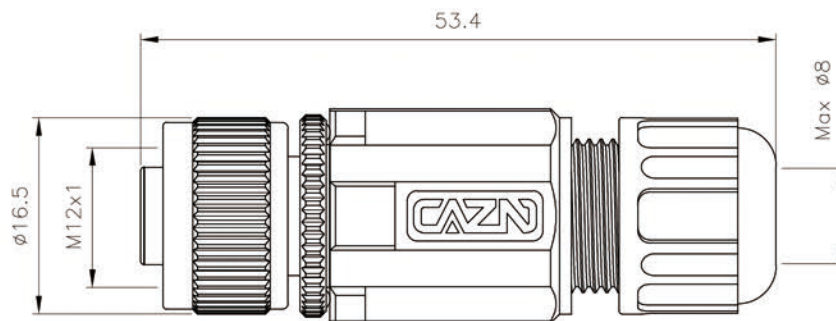


芯位排布



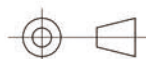
芯数	2	3	4	4D	5	5B	6	8
额定电流/电压	4A/250V	4A/250V	4A/250V	4A/250V	4A/60V	4A/60V	2A/30V	2A/30V
额定脉冲电压	2500V	2500V	2500V	2500V	1500V	1500V	800V	800V
绝缘电阻 (MΩ)	≥100	≥100	≥100	≥100	≥100	≥100	≥100	≥100
接触电阻 (mΩ)	≤ 5	≤ 5	≤ 5	≤ 5	≤ 5	≤ 5	≤ 5	≤ 5



技术参数

连接方式: 螺纹连接
 接线方式: 焊线
 污染等级: 3
 温度范围: -25°C ~ +80°C
 防护等级: IP67
 插拔周期: ≥500

GENERAL TOLERANCE
 (UNLESS SPECIFIED)
 ≤10 ±0.1
 <10~≤20 ±0.2
 <20~≤50 ±0.5
 Angle ±1°



THIRD ANGLE

DWN		TITLE
CHK		
APVD		TITLE
UNIT	REV	PART NO
MM	A	
SIZE	SHEET	DRAWING NO
A4	1 OF 1	M12P-A-Sx

TITLE
M12 塑料孔型组装式插头

PART NO
DRAWING NO
M12P-A-Sx