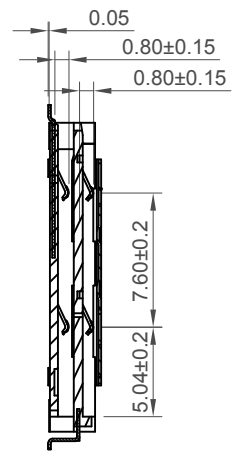
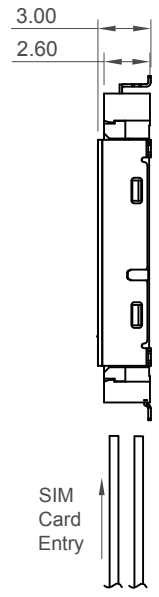
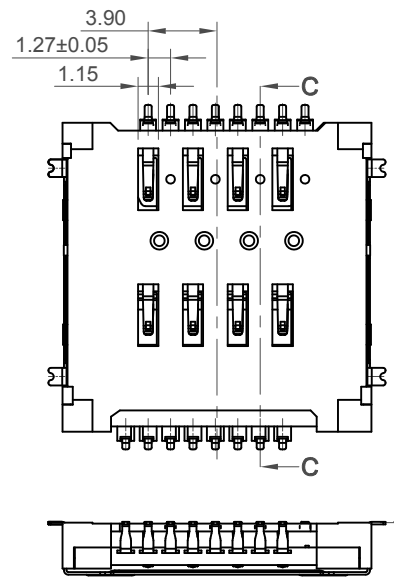
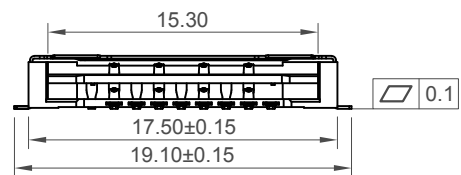
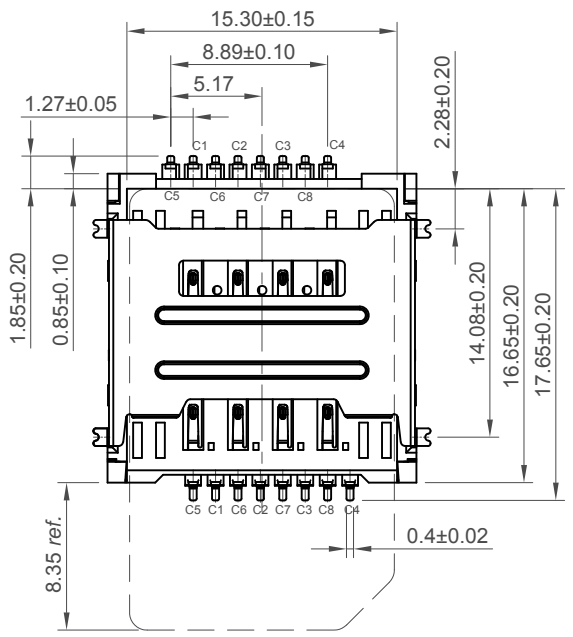
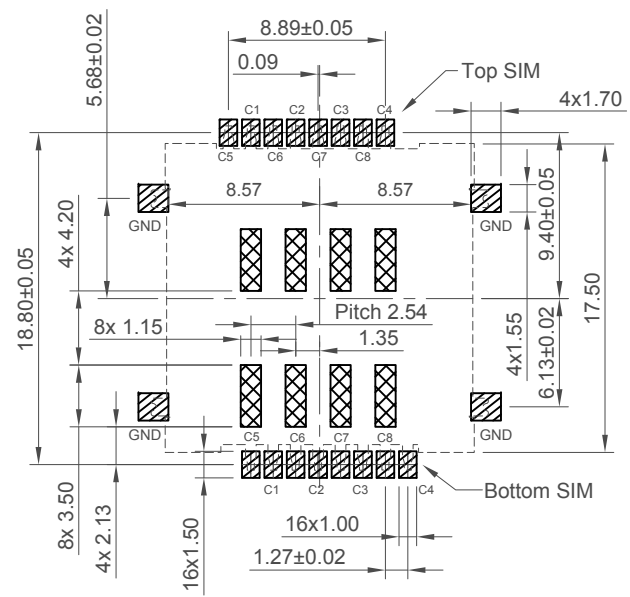


H
G
F
E
D
C
B
A



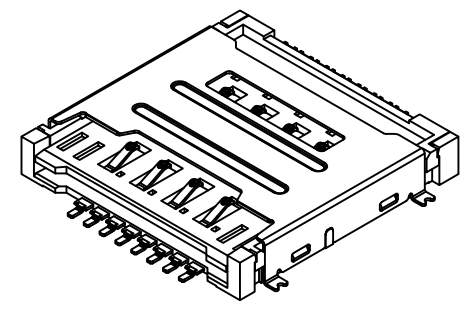
Section C-C



Recommended PCB Layout

As viewed from component side Tolerance:±0.05mm

▨ Solder Area ⊗ Keep Out Area □ Component Outline



Specifications

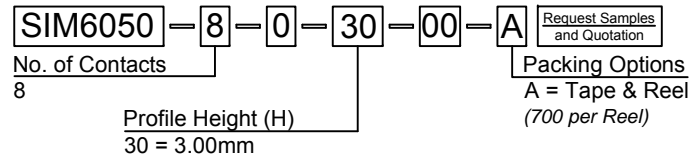
Material
 Plastic Housing: LCP 30%GF, UL94V-0, Black
 Contact Terminal: Phosphor Bronze C5210-EH, T=0.15mm
 Metallic Shell: SUS301-H, T=0.15mm

Plating
 Contact Terminal
 Contact Area: 3μ"Gold
 Solder area: Gold Flash
 Underplating: 50μ" Ni overall
 Metallic Shell: 50μ" Ni overall

Electrical
 Voltage Rating: 30V rms
 Current Rating: 0.5A per pin
 Operating Temperature: -40°C to +85°C
 Dielectric Withstanding Voltage: 200V AC (60Sec min)
 Insulation Resistance: 100MΩ min. (Apply 500VDC)
 Contact Resistance: 100mΩ max.

Mechanical & Environmental
 Duration: 5000 cycles

Ordering Grid



Part Number SIM6050		Product Description SIM Card Connector, Retainer Type, Dual SIM, 2x8 Pin, SMT, Profile 3.00mm	
Drawing Date 15th March 2010			
By CC	Tolerances (Except as Noted)	Units: Metric (mm)	 This drawing is confidential and copyright of Global Connector Technology, Ltd (GCT). This drawing must not be copied or disclosed without written consent. E & OE
Detail SIM6050 D PCN	Length X.X ± 0.35	Angle X.XX° ± 3°	
Revision D2	X.XX ± 0.25	X.XX° ± 2°	
Date 12/11/20	X.XXX ± 0.15	3rd Angle Projection	

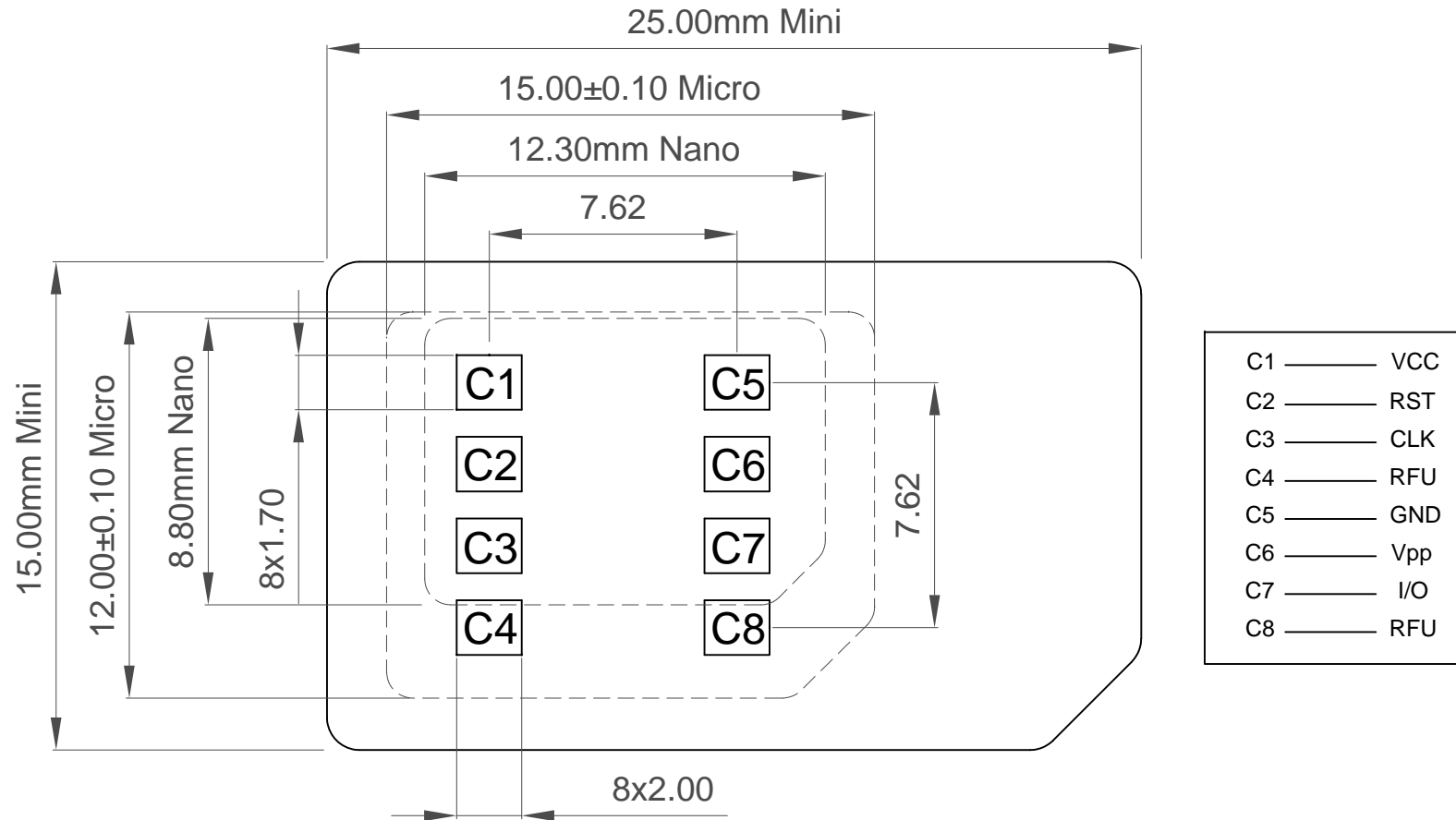


Not to Scale	Drawn By SA	Sheet No. 1/3
--------------	----------------	------------------

1 2 3 4 5 6 7 8

Mini SIM Reference

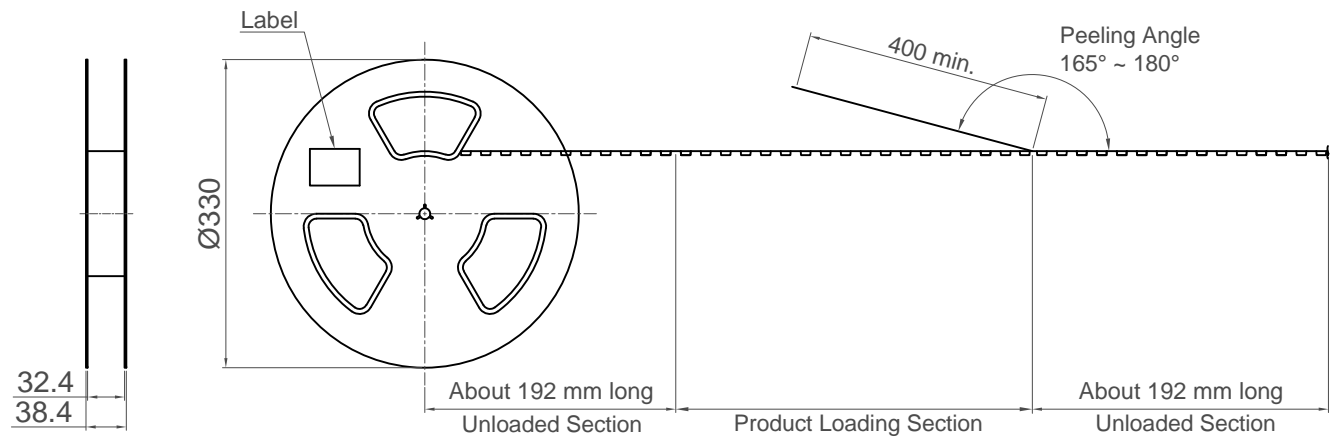
thickness = 0.76 ± 0.08



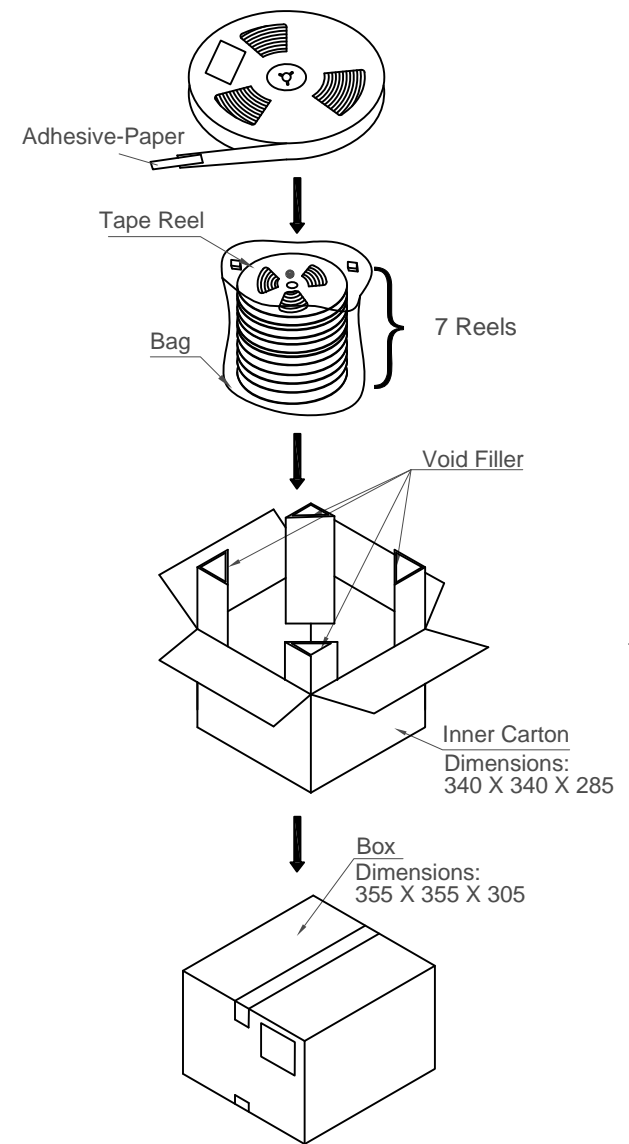
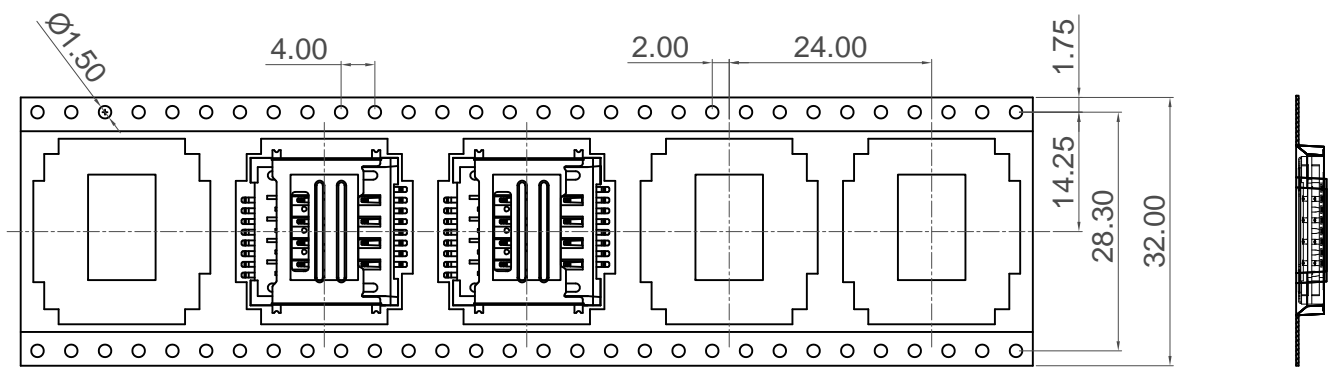
Part Number		Product Description	
SIM6050		SIM Card Connector, Retainer Type, Dual SIM, 2x8 Pin, SMT, Profile 3.00mm	
Drawing Date		15th March 2010	
By	CC	Tolerances (Except as Noted)	Units:
Detail	SIM6050 D PCN	Length	Metric (mm)
Revision	D2	Angle	
Date	12/11/20		
		This drawing is confidential and copyright of Global Connector Technology, Ltd (GCT). This drawing must not be copied or disclosed without written consent. E & OE	
Not to Scale	Drawn By SA	Sheet No. 2/3	



H
G
F
E
D
C
B
A



User direction of unreeling →



Notes:
Peeling off force of top tape: 0.1-1.3N (Peeling direction as shown)

Materials:
Carrier Tape: Polystyrene (PS)
Top Tape: PE
Reel Tape: Polystyrene (PS)
Bag: PE

Pcs / Reel	Reels / Carton	Total Quality
700	7	4900 pcs

Part Number SIM6050		Product Description SIM Card Connector, Retainer Type, Dual SIM, 2x8 Pin, SMT, Profile 3.00mm			This drawing is confidential and copyright of Global Connector Technology, Ltd (GCT). This drawing must not be copied or disclosed without written consent. E & OE	
Drawing Date 15th March 2010		By CC				
Detail	SIM6050 D PCN	Tolerances (Except as Noted) Length	Angle	Units: Metric (mm)		
Revision	D2			RoHS COMPLIANT 2011/65/EU		
Date	12/11/20			Not to Scale	Drawn By SA	Sheet No. 3/3

