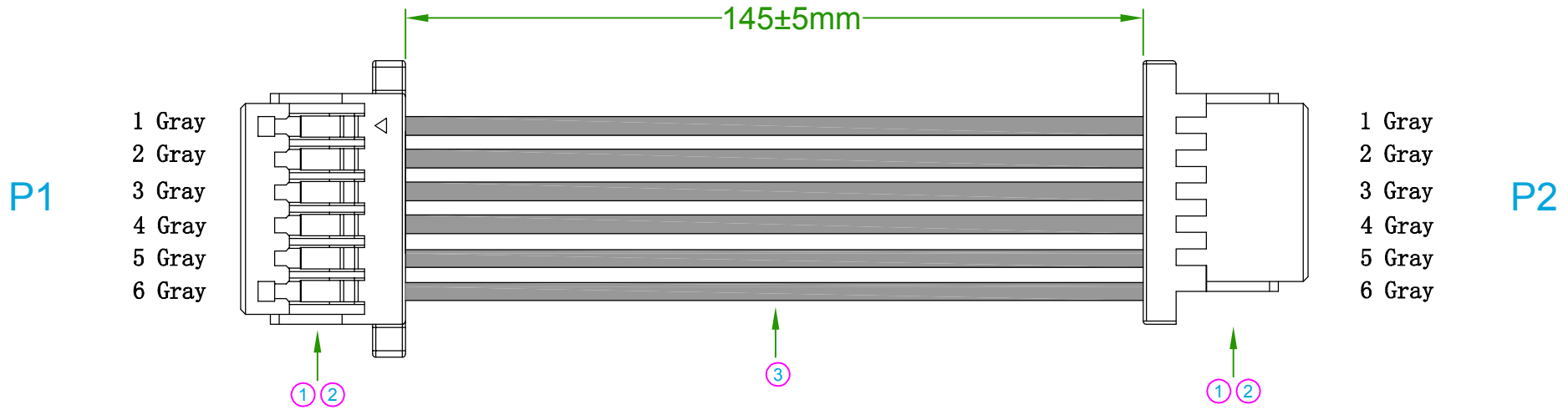


DATE	OLD REV	NEW REV	ECN	DESCRIPTION	CHECK	APPROVAL



CONNECTION

P1		P2
1	<u>Gray(灰色)</u>	1
2	<u>Gray(灰色)</u>	2
3	<u>Gray(灰色)</u>	3
4	<u>Gray(灰色)</u>	4
5	<u>Gray(灰色)</u>	5
6	<u>Gray(灰色)</u>	6

③	Wire	UL1571 #30AWG OD=0.90mm Gray L=145mm	6	PCS
②	Terminal	SH1.00 Phosphor Bronze Tin-Plated 1001T-PS	12	PCS
①	Housing	SH1.00 Housing 6P 1001H-06-P0	2	PCS
No.	Name	Description	Qty	Unit

GENERAL TOLERANCE .X ±0.30 .XX ±0.20 .XXX ±0.10	PROJECT						PART NO. SM551.82.000CB		
	UNIT MM						TITLE SH1.0mm 6P Wire		
	SCALE 1:1						APPROVAL		
NUMBER A-1001						CHECK Xiaoxin Li			
REV A						DRAWN Liu gang			
DATA 2024/10/30									

由 Autodesk 教育版产品制作

由 Autodesk 教育版产品制作